

|  |
|--|
|  |
|  |
|  |

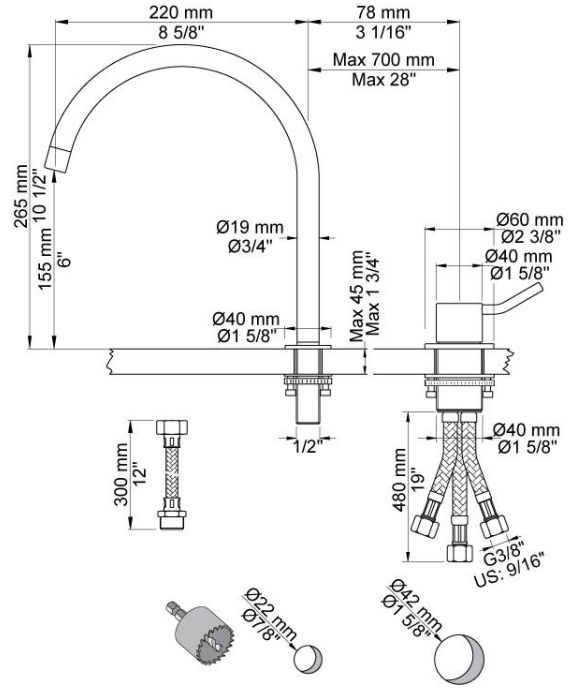
|   |
|---|
| : |
| : |
| : |



**590HM**

|                     | <b>Bar:</b> | <b>1.0</b> | <b>2.0</b> | <b>3.0</b> | <b>4.0</b> | <b>5.0</b> |
|---------------------|-------------|------------|------------|------------|------------|------------|
| 590HM <sup>1)</sup> | (l/min)     | 2.3        | 3.3        | 4.0        | 4.0        | 4.0        |
| 590HM               | (l/min)     | 4.8        | 6.8        | 8.3        | 8.3        | 8.3        |

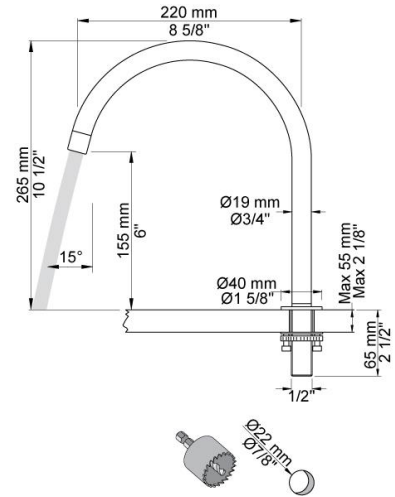
<sup>1)</sup> USA Standard



|                           |                                   |
|---------------------------|-----------------------------------|
|                           | Color 20, Brushed chrome          |
| Color 02, Grey            | Color 21, Carmine red             |
| Color 04, Light blue      | Color 25, Pink                    |
| Color 05, Orange          | Color 27, Matt black              |
| Color 06, Light green     | Color 28, Matt white              |
| Color 08, Yellow          | Color 40, Brushed stainless steel |
| Color 09, Dark grey       | Color 60, Black                   |
| Color 12, Mocca           | Color 61, Brushed black           |
| Color 14, Bright red      | Color 63, Copper                  |
| Color 15, Dark blue       | Color 64, Brushed Copper          |
| Color 16, Polished chrome | Color 65, Gold                    |
| Color 17, Gloss black     | Color 68, Silver                  |
| Color 18, White           | Color 70, Brushed Gold            |
| Color 19, Natural brass   |                                   |



**090H**  
Swivel spout, 10½" high - 8½" wide.



**500M**  
One handle table mounted mixer with medium lever.

