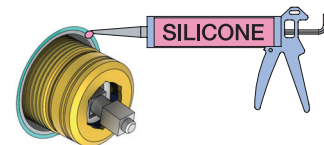


Do not cut the membrane  
 Die Membran nicht schneiden  
 Skær ikke membranen  
 \* Skär inte membranet  
 Snij het membraan niet door  
 Ne coupez pas la membrane  
 No cortar la membrana



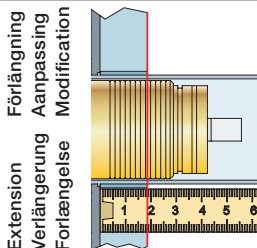
\*Membran används inte i SVERIGE,  
 ihop med inbyggnadsboxen.

NR.21:

1

NR.28+19+24:

2



VR2260/VR1400/VR2019		
	3 - 15 mm	Std.
Tiles:	15 - 25 mm	+10
Fliesen:	25 - 35 mm	+20
Fliser:	35 - 45 mm	+30
Tegels:	45 - 55 mm	+40
Carreaux:	55 - 65 mm	+50

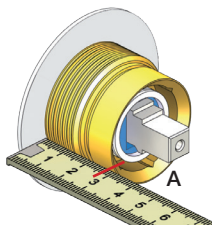


VR2260/VR1400/VR2019		
	35 - 47 mm	Std.
	25 - 35 mm	+10
	15 - 25 mm	+20
	5 - 15 mm	+30
	-5 - 5 mm	+40
	-15 - -5 mm	+50

NR 21

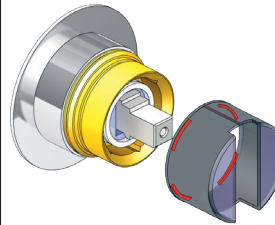


NR 21 - 1

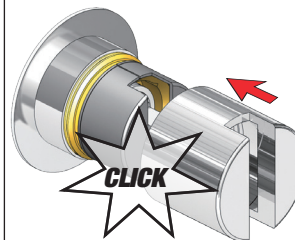


		A
VR2279	16 mm	30 - 34 mm
VR2279B	12 mm	26 - 30 mm
VR2279C	8 mm	22 - 26 mm

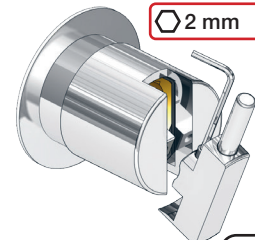
NR 21 - 2



NR 21 - 3



NR 21 - 4





VR1260/VR1400/VR2019		
Tegels: Carreaux:	3 - 15 mm	Std.
	15 - 25 mm	+10
	25 - 35 mm	+20
	35 - 45 mm	+30
Tiles: Fliesen: Fliser:	45 - 55 mm	+40
	55 - 65 mm	+50



VR1260/VR1400/VR2019		
40 - 52 mm	Std.	
30 - 40 mm	+10	
20 - 30 mm	+20	
10 - 20 mm	+30	
0 - 10 mm	+40	
-10 - 0 mm	+50	

NR 19/NR24

NR 19:  
 Ø40 mm  
 Ø1 5/8"

NR 24:  
 Ø43 mm  
 Ø1 3/4"



NR 28 - 1

VR3279 VR3279B VR3279C

	A	
VR3279	16 mm	31 - 36 mm
VR3279B	12 mm	27 - 32 mm
VR3279C	8 mm	23 - 28 mm

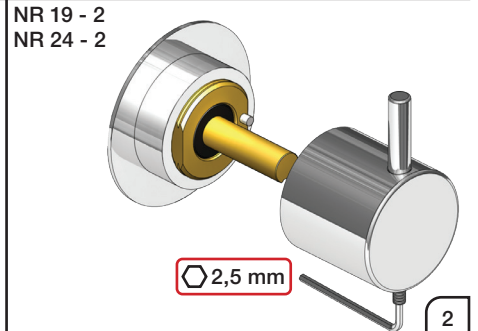
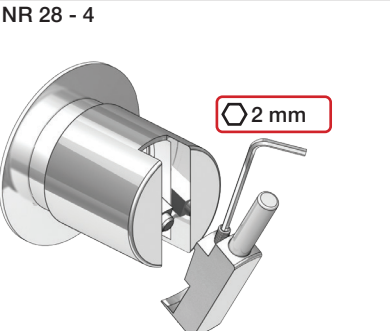


NR 19 - 1  
NR 24 - 1

VR2204 VR2204B VR2204C

NR 19 - VR665

	A	
VR665	16 mm	ALL
VR2204	16 mm	16 - 21 mm
VR2204B	12 mm	11 - 17 mm
VR2204C	8 mm	7 - 13 mm





- NR28: VR20, VR22, VR269, VR273, VR295, VR388, VR3279, VR3279B, VR3279C  
 NR19: VR2A, VR22, VR665, VR1419  
 VR277K: VR22, VR269, VR277  
 VR1260: VR1259, VR1260, VR2251  
 VR1400: VR21, VR23, VR406, VR1902, VR2213

<p>400V</p> <p>2927</p>	<p>400NV</p> <p>400TV</p> <p>2926</p>	<p>400FV</p> <p>400RV</p> <p>2927</p>	<p>400DV</p> <p>2928</p>
<p>1045</p>	<p>3003KB</p>	<p>3003</p>	<p>-</p>
<p>3001, 001G</p>	<p>3001, 001G, 001</p>	<p>3001, 001G, 001</p>	<p>001G</p>



**vola**  
 Lunavej 2  
 DK-8700 Horsens  
 Tlf : + 45 7023 5500  
 sales@vola.com  
 www.vola.com

**VOLA 400**  
 400V/FV/NV/RV/TV/D

Date  
 May. 22

Rev.  
 9

Sheet  
 SB 3.2