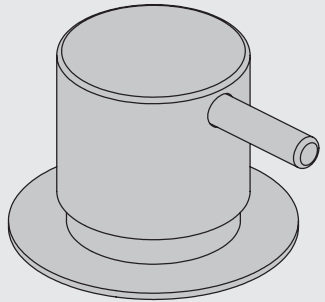


VOLA S50, S50D, S50DH
 VOLA KV3, KV4, KV9, KV10, KV15
 VOLA HV5, HV8, HV10
 VOLA SC2, SC4, SC6, SC8, SC11, SC13

Fitting instruction
 Montageanleitung
 Monteringsvejledning
 Monteringsvægledning
 Montage hanleiding
 Manuel de montage



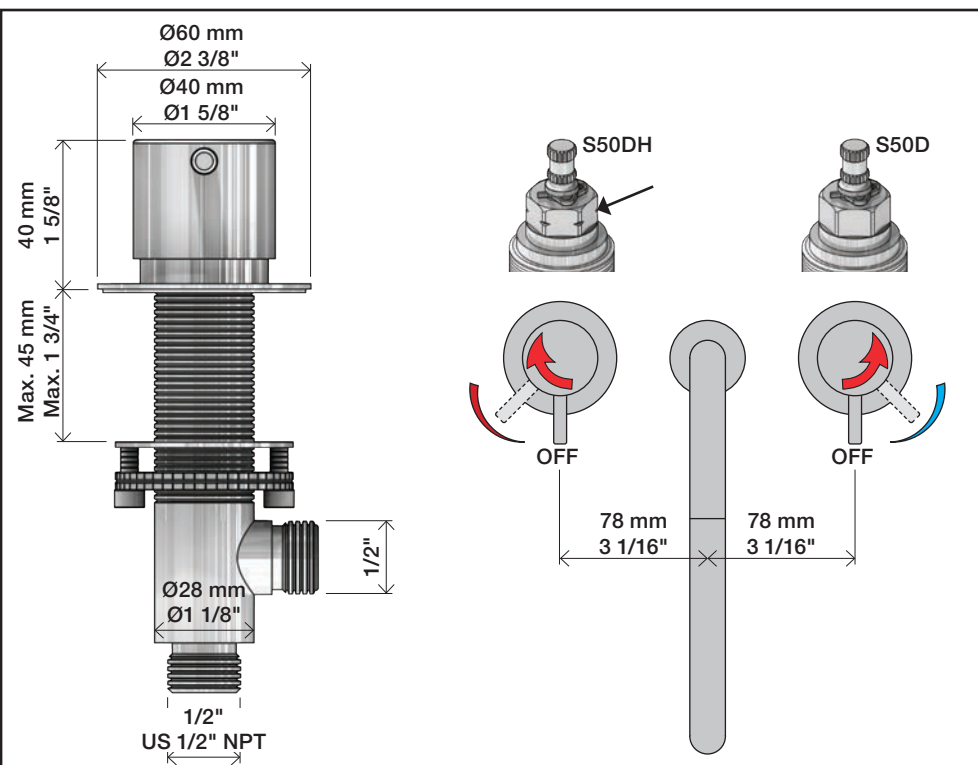
04/00115
 04/00307
 04/00340



www.vola.com

vola

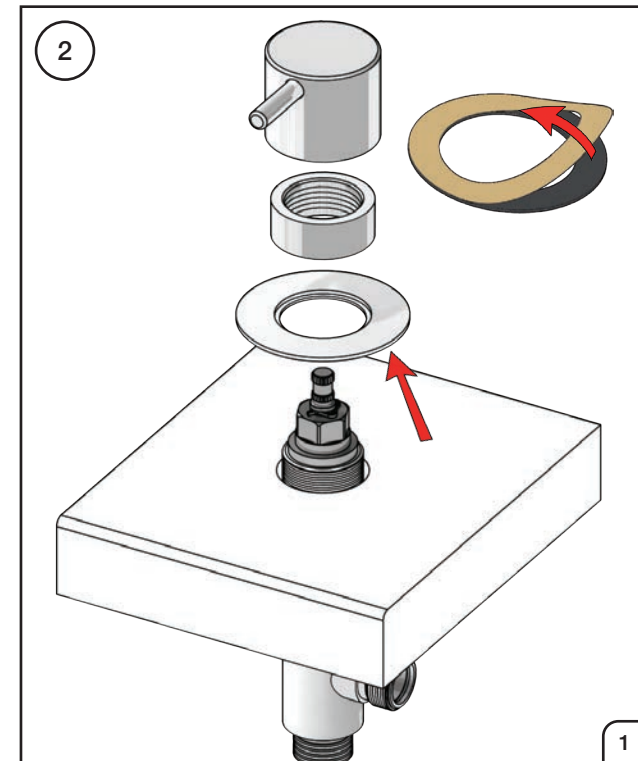
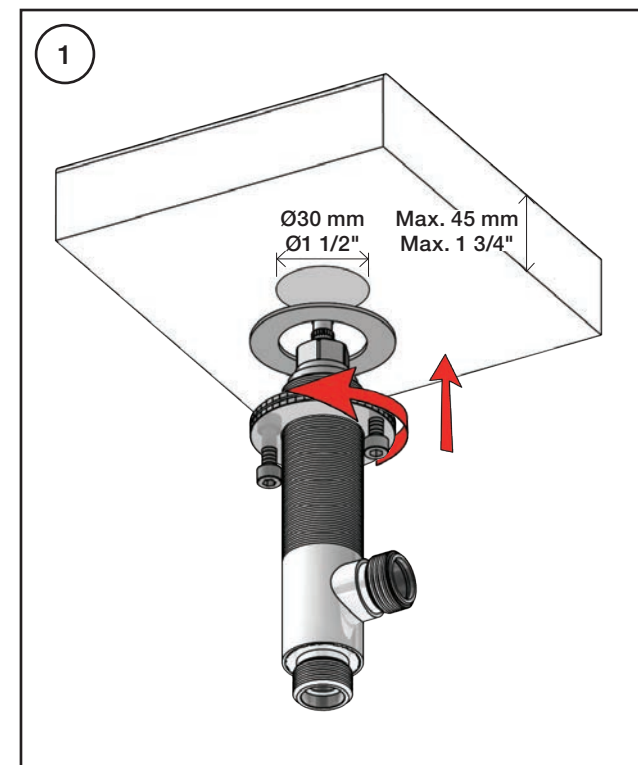
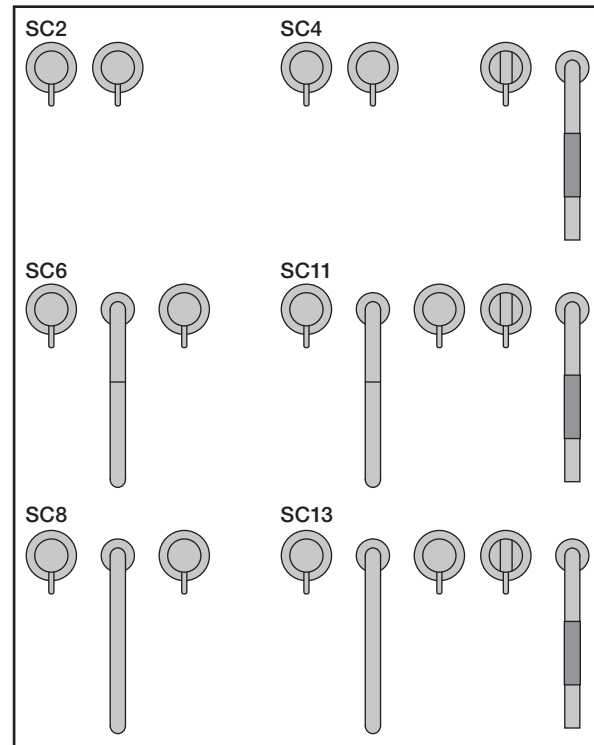
S50_V9_40999831
 08-08-2024

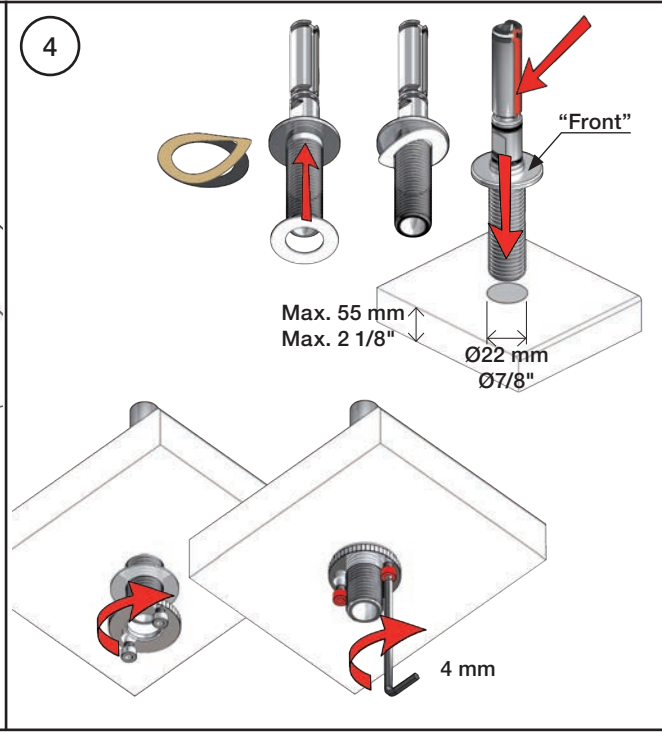
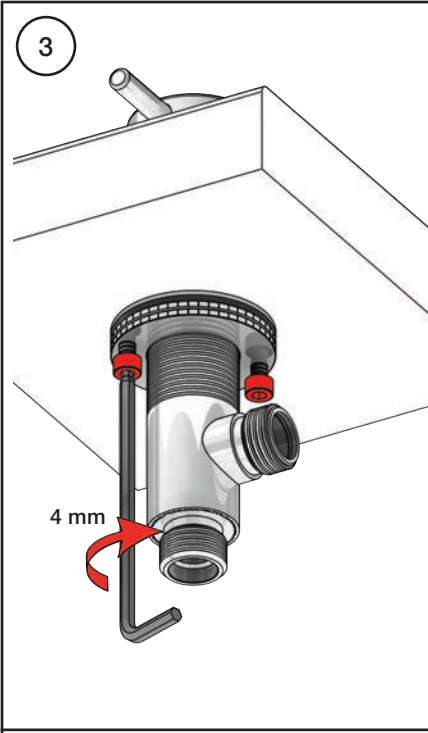


Data, 3 Bar/43.5 Psi:

	l/min.	Gal/min.
S50:	32,0	8.5
KV3:	30,0	7.9
KV4:	9,0	2.4
KV10, 15:	9,0	2.4
HV5, 8, 10:	9,0	2.4
SC2, 4 (A24):	16,0	4.2
SC6, 8, 11, 13: (C)	26,0	6.9

Max. 65°C, 150°F





4A

mm:	H	D	h
090	210	200	145
090A	110	85	40
090B	185	100	114
090C	185	100	114
090D	220	200	130
090E	170	200	65
090G	185	140	105
090H	265	230	155
090I	325	230	216
090V	355	145	270

Inches:	H	D	h
090	8 1/2"	8"	5 3/4"
090A	4 1/4"	3 1/2"	1 1/2"
090B	7"	4"	4 1/2"
090C	7"	4"	4 1/2"
090D	8 3/4"	8"	5"
090E	6 3/4"	8"	2 1/2"
090G	7"	5 1/2"	4"
090H	10 1/2"	9"	6"
090I	12 3/4"	9"	8 1/2"
090V	14"	5 3/4"	10 1/2"

5

090: KV4
090A: HV5
090B: HV8
090D: KV3, SC6, SC11
090E: KV9, SC8, SC13
090G: KV10
090H: KV15
090V: HV10

Ø19 mm: 13 mm
Ø24 mm: 17 mm

VR688

VOLA 090, 090A, 090B:
 VOLA 090C, 090D, 090E:
 VOLA 090G, 090H, 090I, 090V:

1 - 4

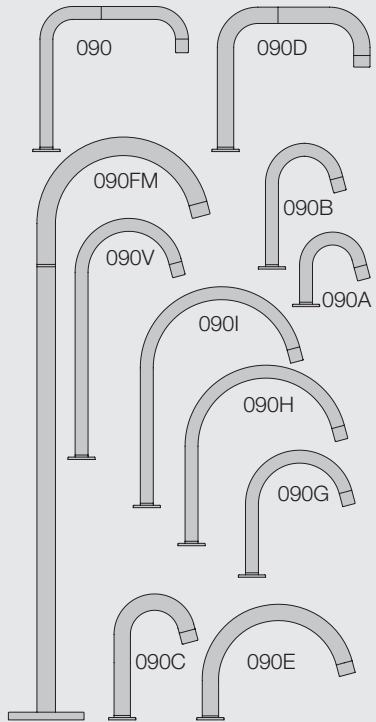
VOLA 090FM:

5

Fitting instruction Monteringsvægledning
 Montageanleitung Montage hanledning
 Monteringsvejledning Manuel de montage



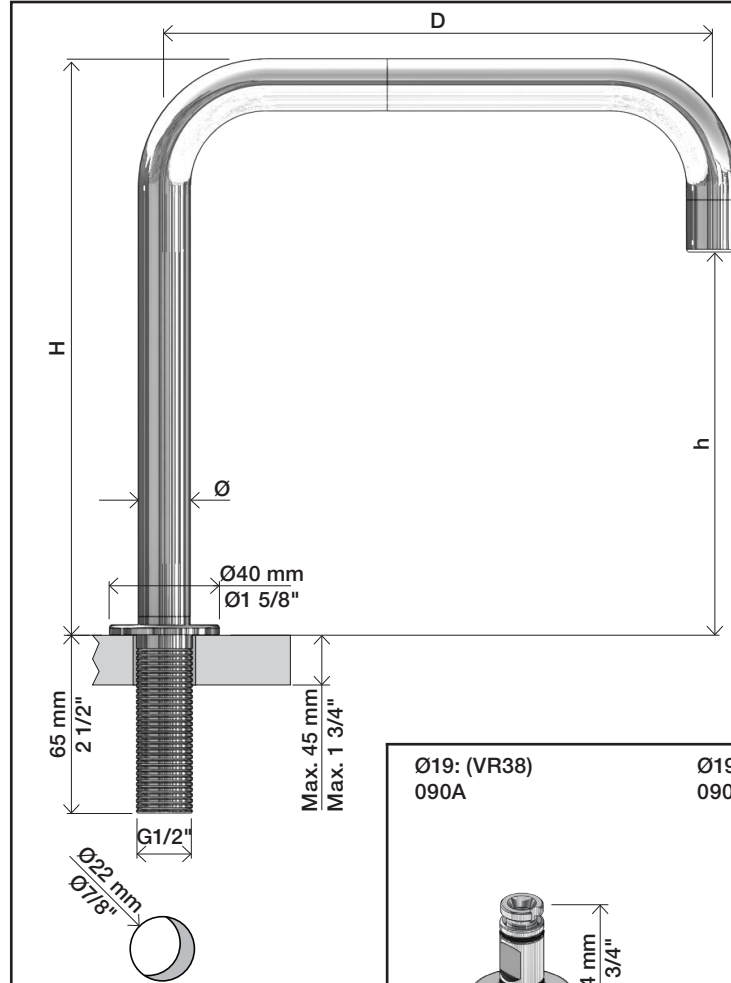
04/00045
 04/00109



www.vola.com

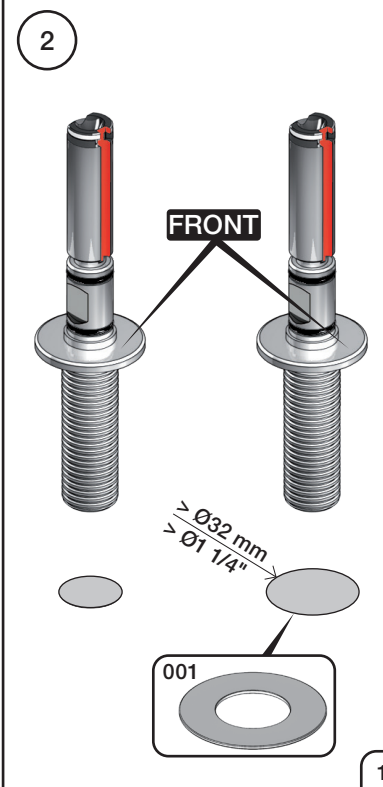
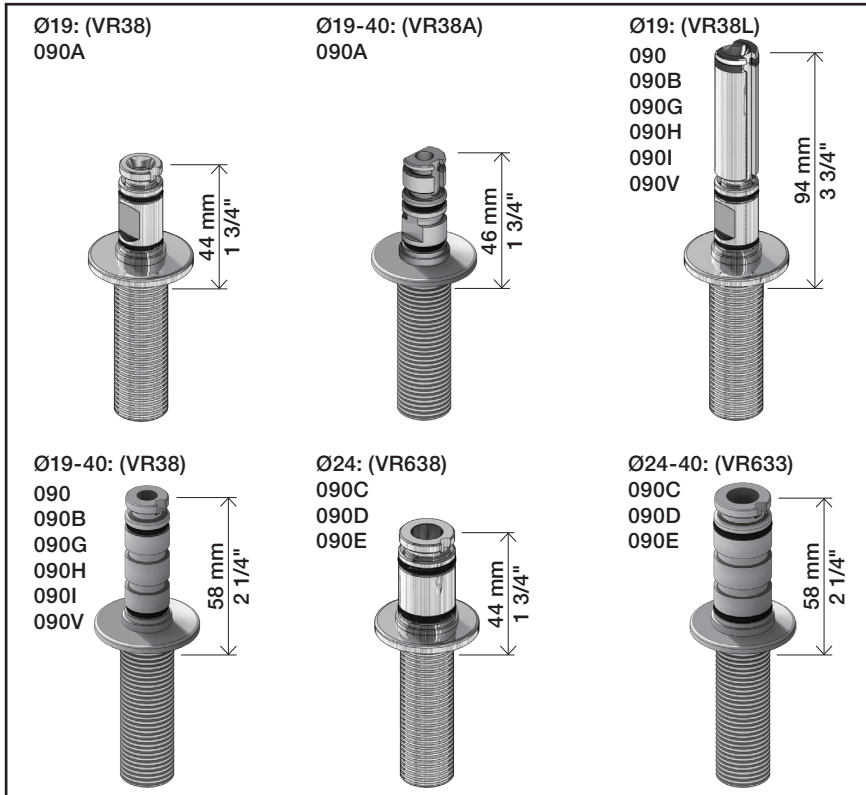
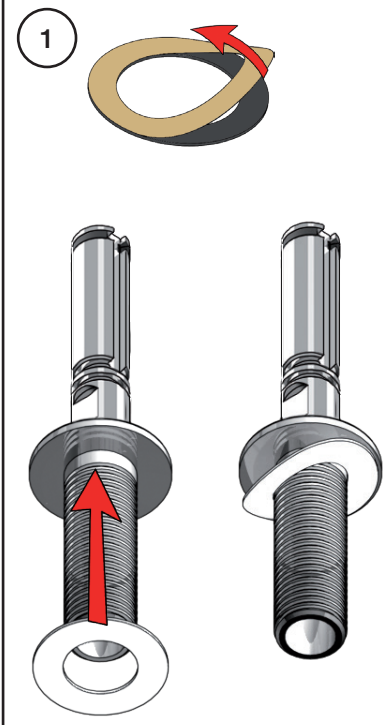
vola

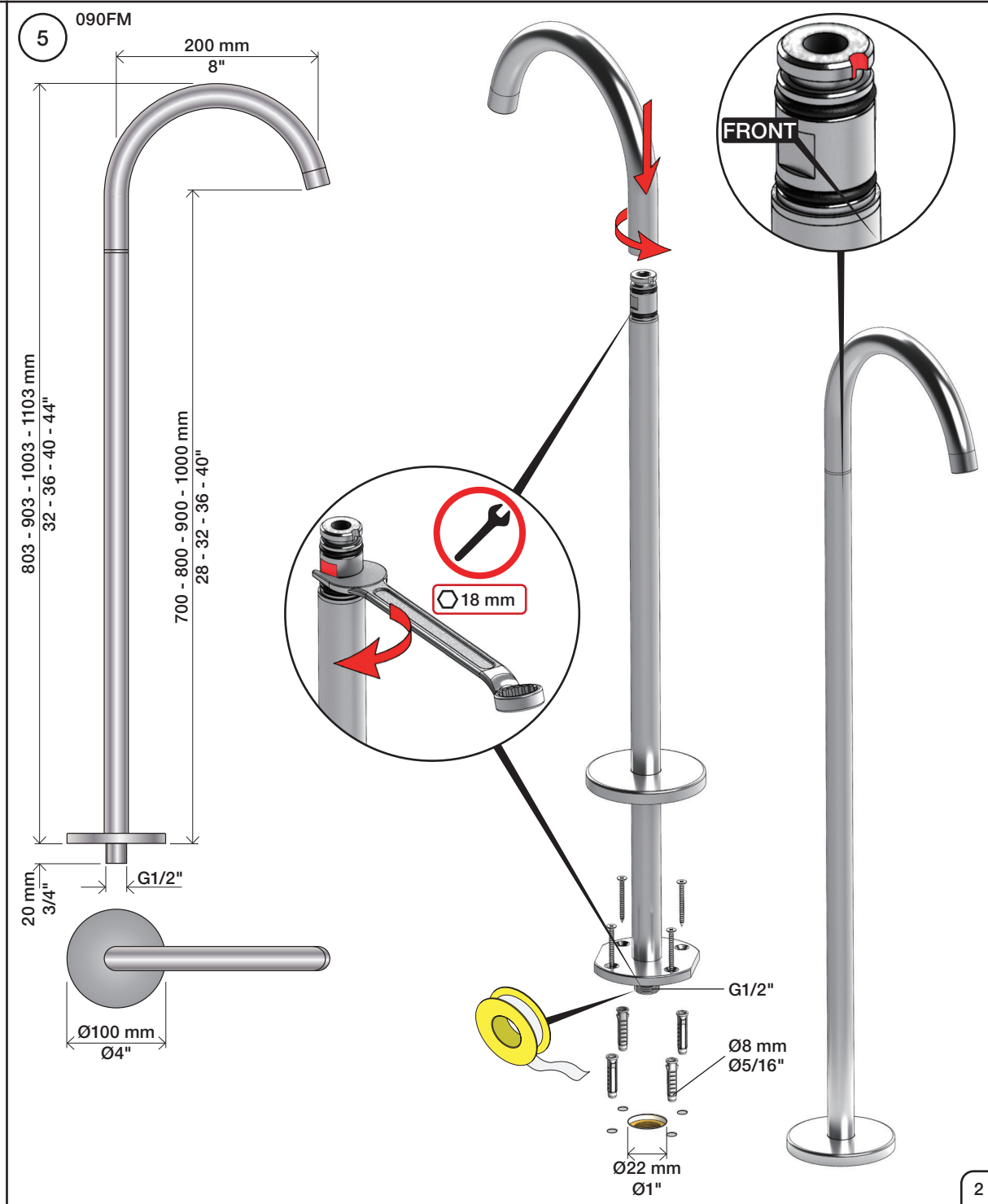
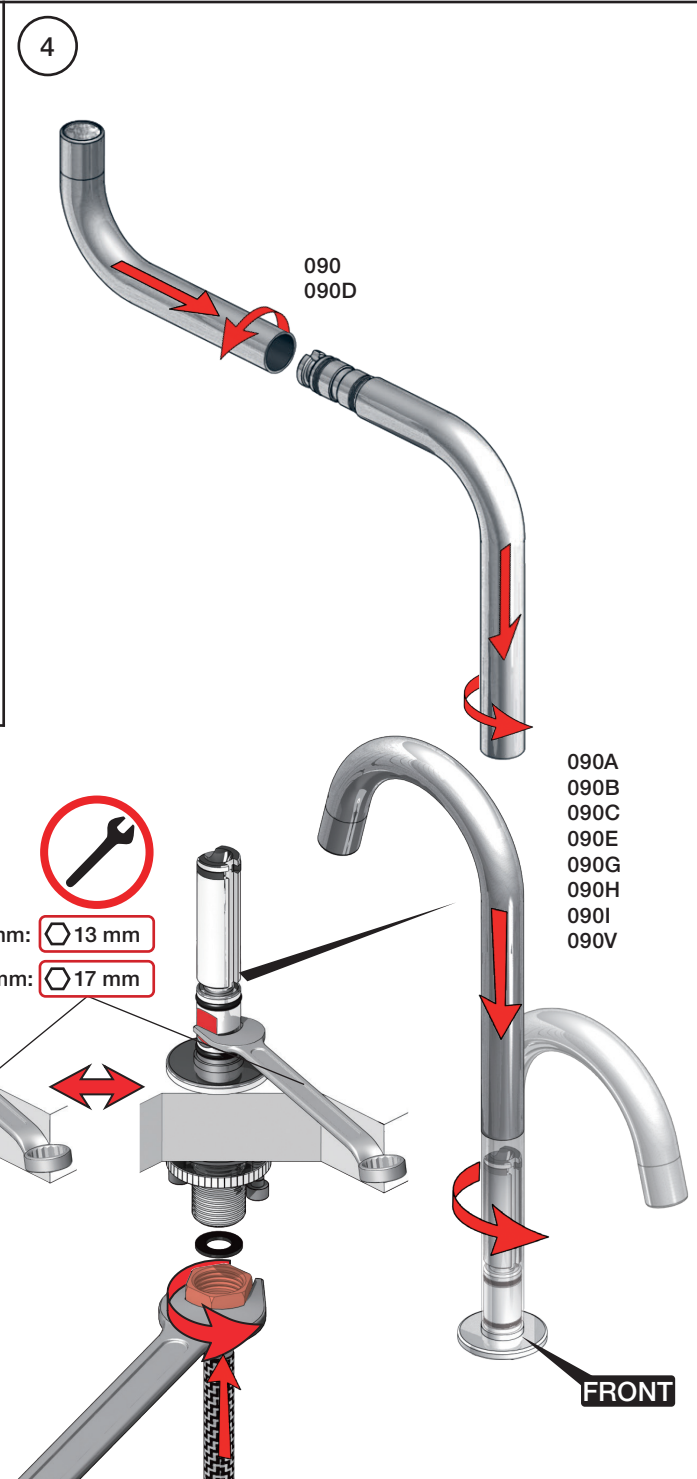
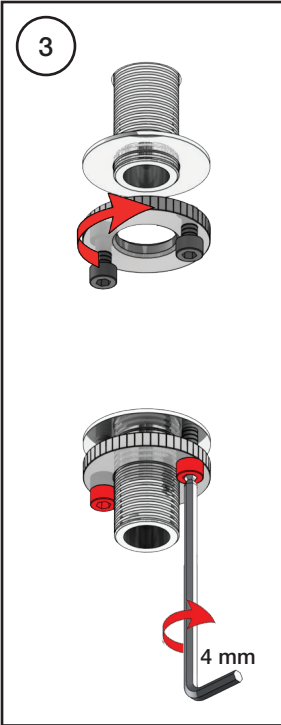
mnt_090_V4_40999824
 21-11-2023

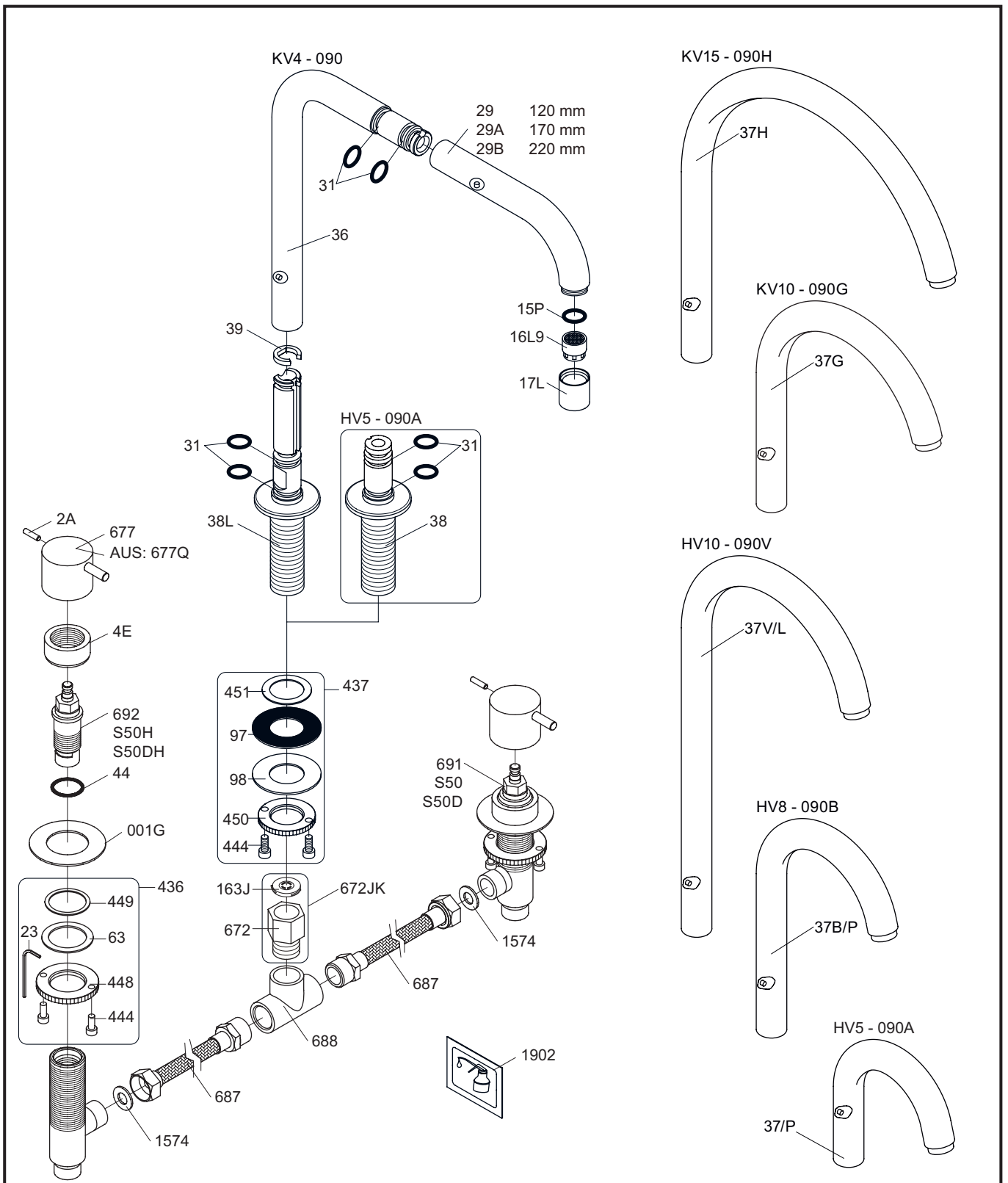


mm:	Ø	H	D	h
090	19	210	200	145
090A	19	110	85	40
090B	19	185	100	114
090C	24	185	100	114
090D	24	220	200	130
090E	24	170	200	65
090G	19	185	140	105
090H	19	265	220	155
090I	19	325	220	215
090V	19	355	145	270

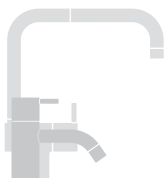
Inches:	Ø	H	D	h
090	3/4"	8 1/4"	8"	5 3/4"
090A	3/4"	4 1/4"	3 1/2"	1 1/2"
090B	3/4"	7"	4"	4 1/2"
090C	1"	7"	4"	4 1/2"
090D	1"	8 3/4"	8"	5"
090E	1"	6 3/4"	8"	2 1/2"
090G	3/4"	7"	5 1/2"	4"
090H	3/4"	10 1/2"	8 5/8"	6"
090I	3/4"	12 3/4"	8 5/8"	8 1/2"
090V	3/4"	14"	5 3/4"	10 1/2"







- | | |
|----------|-----------------------------------|
| NR.7: | VR2A, VR23, VR677 |
| VR090: | VR15P, VR16L9, VR17L |
| VR436: | VR63, 2xVR444, VR448, VR449 |
| VR437: | VR97, VR98, 2xVR444, VR450, VR451 |
| VR672JK: | VR163J, VR672 |
| VR691K: | VR23, VR691 |
| VR692K: | VR23, VR692 |



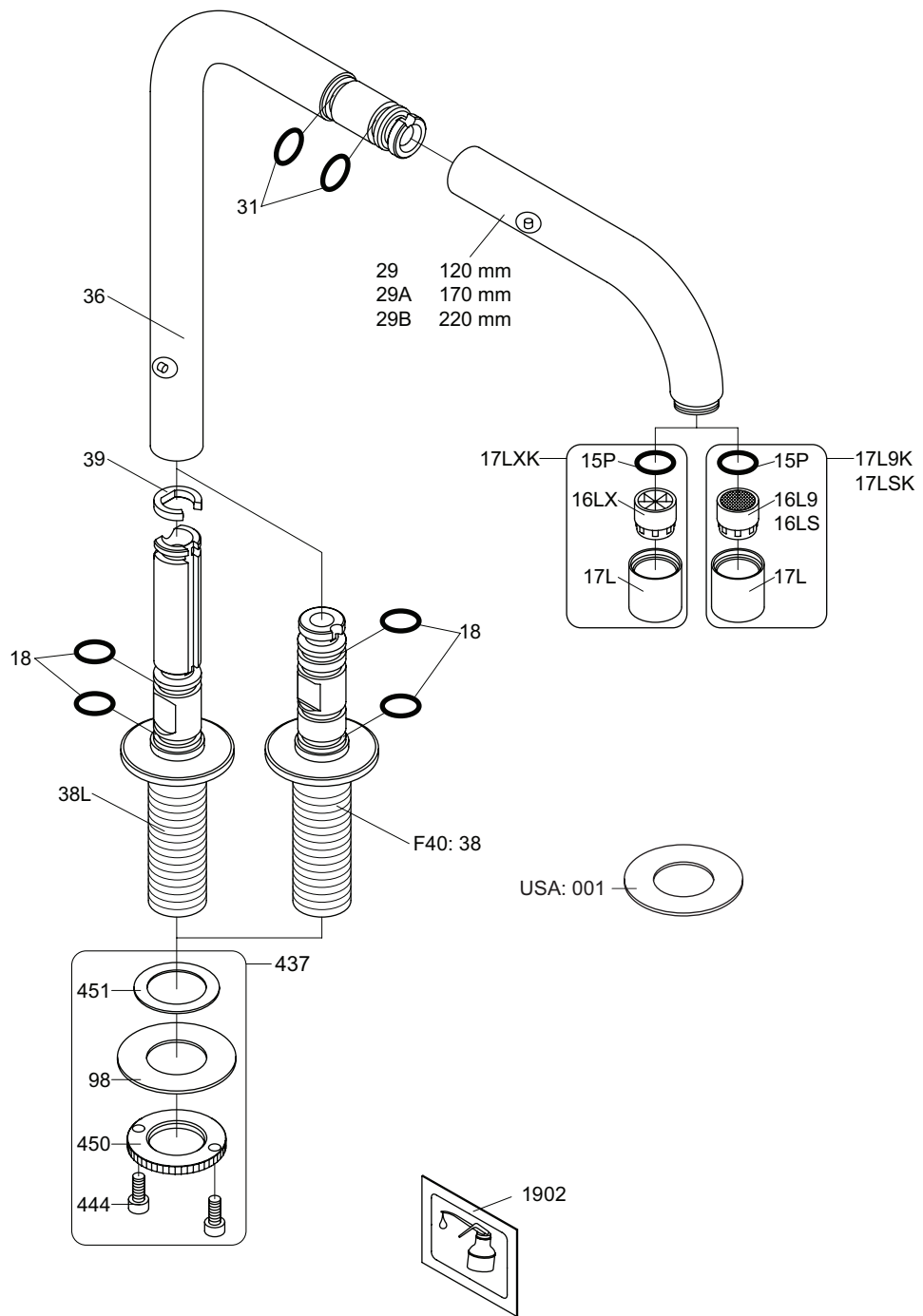
vola
 Lunavej 2
 DK-8700 Horsens
 Tlf : + 45 7023 5500
 sales@vola.com
 www.vola.com

VOLA KV4/KV10/KV15 VOLA HV5/HV8/HV10

Date
Apr. 21

Rev.
4

Sheet
SB 27.6



VR17L9K: VR15P, VR16L9, VR17L
 VR17LSK: VR15P, VR16LS, VR17L
 VR17LXK: VR15P, VR16LX, VR17L
 VR090L9: VR15P, VR16L9, VR17L, 2xVR18, 2xVR31, VR1902
 VR437: VR98, 2xVR444, VR450, VR451



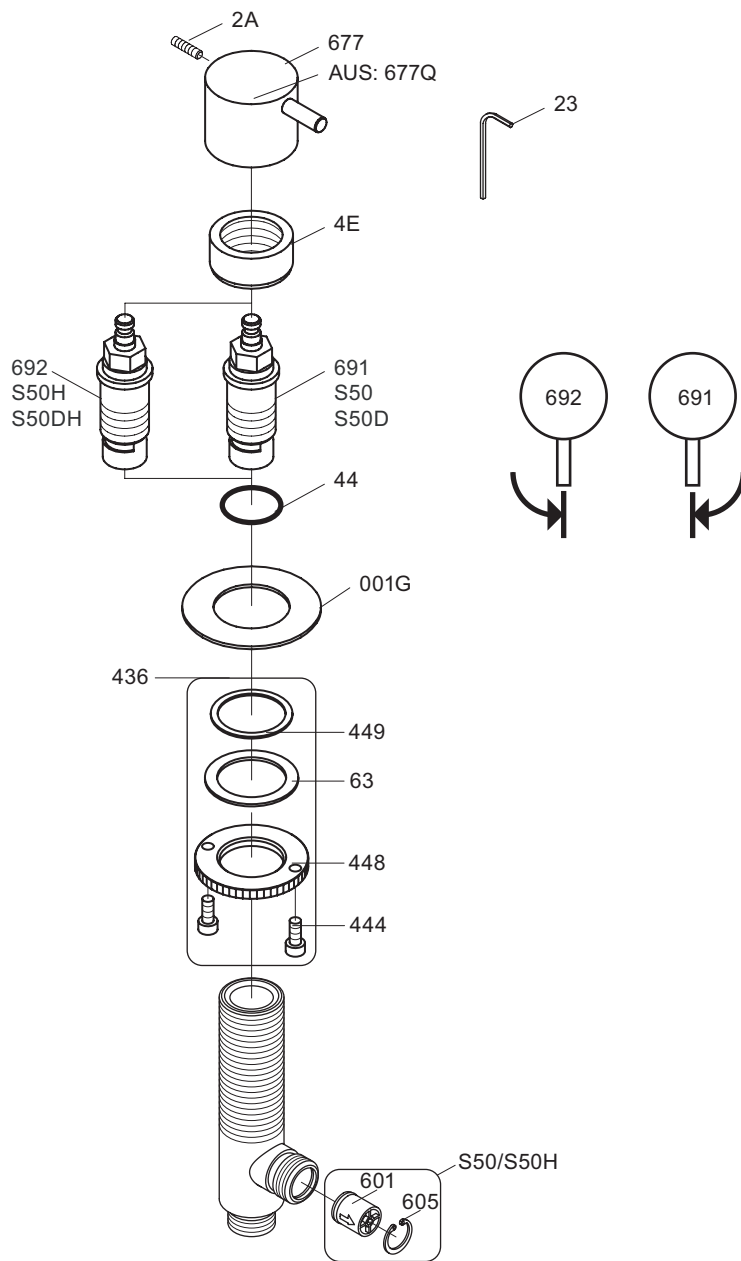
vola
 Lunavej 2
 DK-8700 Horsens
 Tlf : + 45 7023 5500
 sales@vola.com
 www.vola.com

VOLA 090

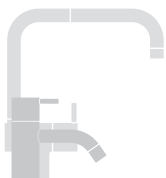
Date
Okt. 16

Rev.
3

Sheet
SB 18



VR691i: VR23, VR44, VR691
 VR692i: VR23, VR44, VR692
 VR436: VR63, 2xVR444, VR448, VR449
 NR.7: VR2A, VR23, VR677



vola
 Lunavej 2
 DK-8700 Horsens
 Tlf : + 45 7023 5500
 sales@vola.com
 www.vola.com

VOLA S50/S50H
VOLA S50D/S50DH

Date
 Sep. 09

Rev.
 2

Sheet
 SB 31.3