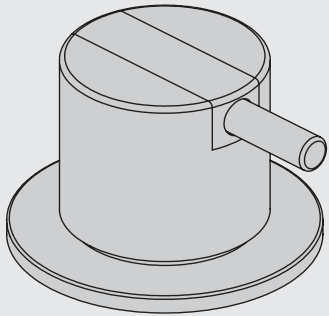


VOLA 500, 590, 500T1
 VOLA 2500
 VOLA SC1, SC3, SC5, SC7, SC9, SC10, SC12

Fitting instruction
 Montageanleitung
 Monteringsvejledning
 Monteringsvægledning
 Montage hanleiding
 Manuel de montage



04/00027
 04/00038



www.vola.com

500 - 2500_V0_40998137
 02-10-2023



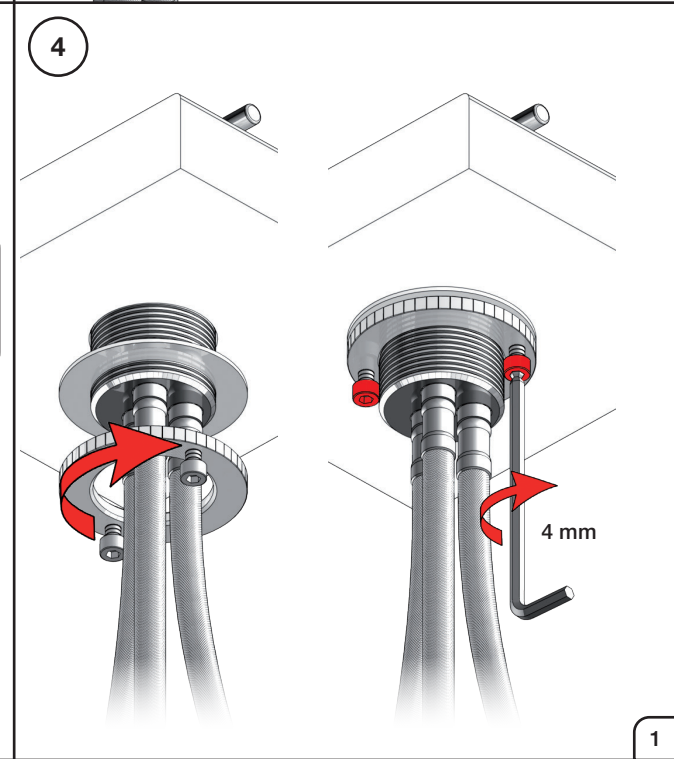
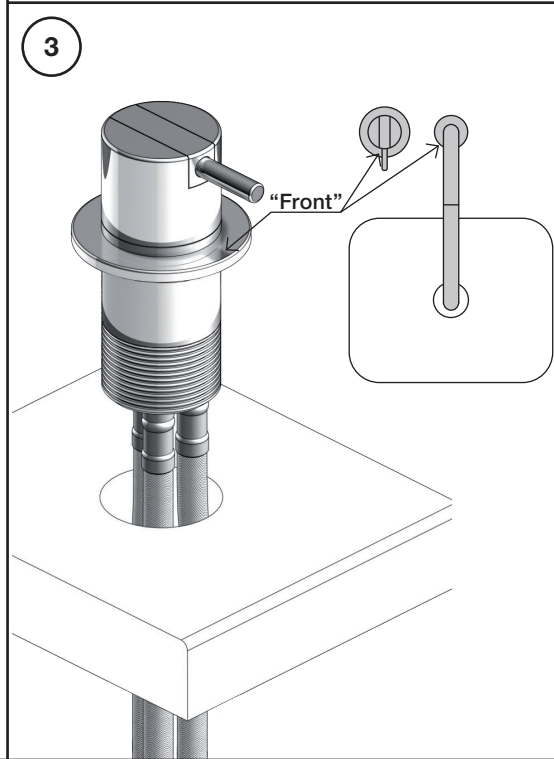
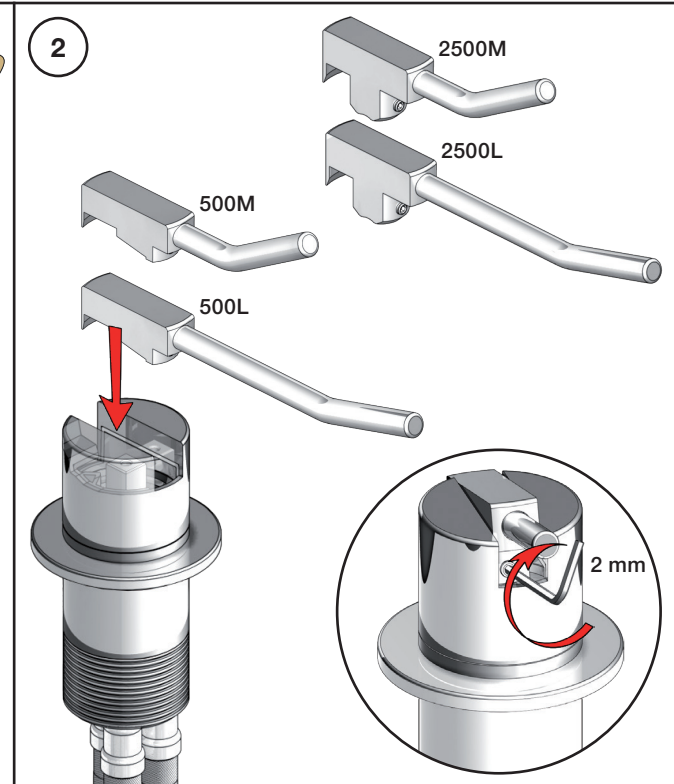
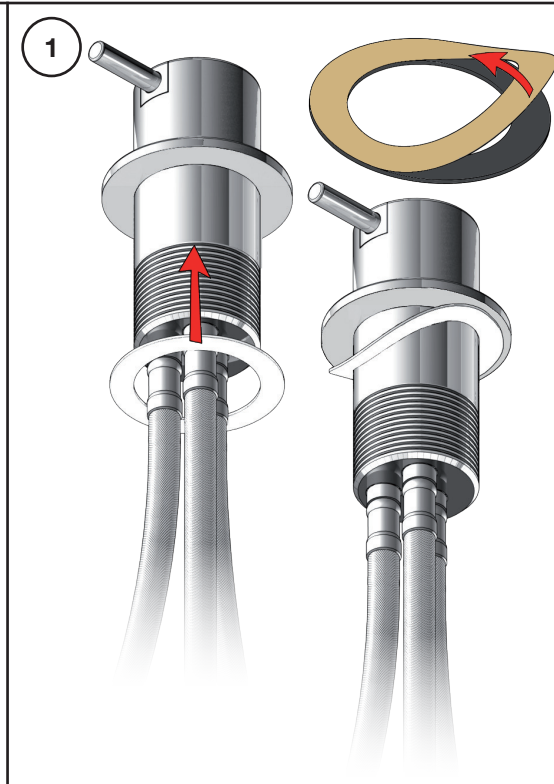
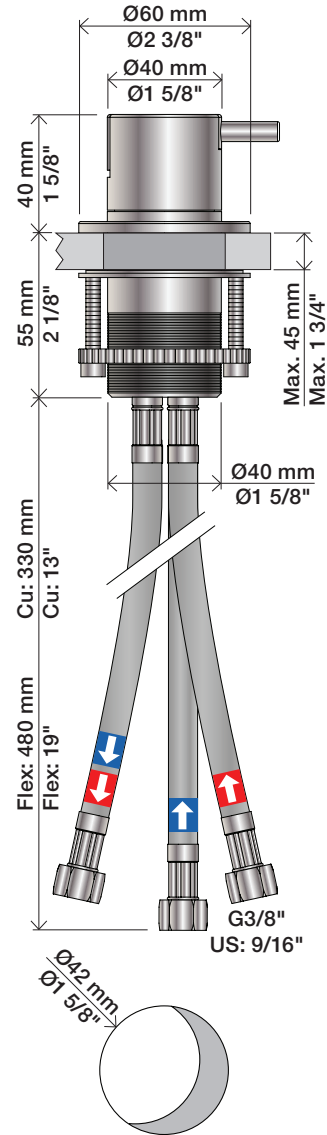
vola

Data, 3 Bar /43.5 Psi:

| | l/min. | Gal/min. |
|---------|--------|----------|
| 500: | 14,5 | 3.8 |
| 590: | 9,0 | 2.4 |
| 500-T1: | 11,0 | 2.9 |
| 2500: | 18,7 | 4.9 |
| SC1: | 18,7 | 4.9 |
| SC5, 7: | 18,0 | 4.8 |
| SC9: | 11,0 | 2.9 |

Max. 65°C, 150°F

500/2500:





VOLA 090, 090A, 090B:
 VOLA 090C, 090D, 090E:
 VOLA 090G, 090H, 090I, 090V:

1 - 4

VOLA 090FM:

5

Fitting instruction Monteringsvægledning
 Montageanleitung Montage hanledning
 Monteringsvejledning Manuel de montage



04/00045
 04/00109



www.vola.com

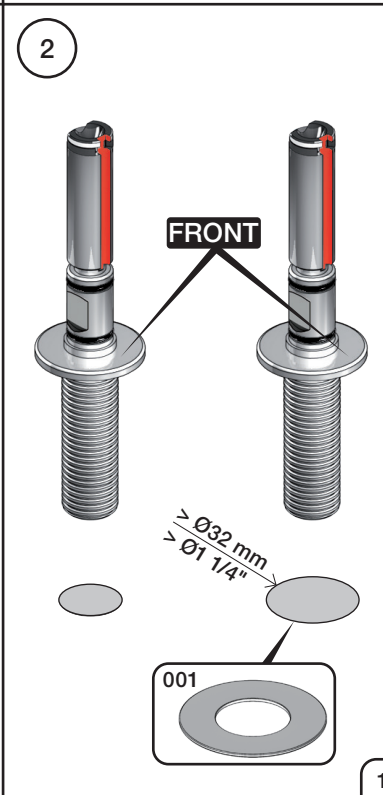
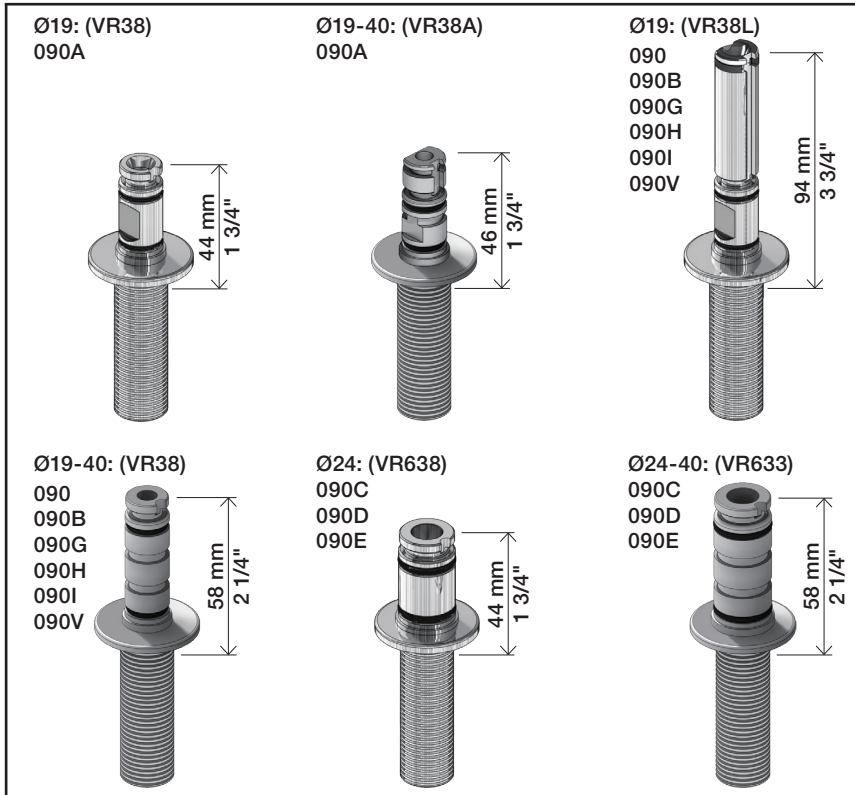
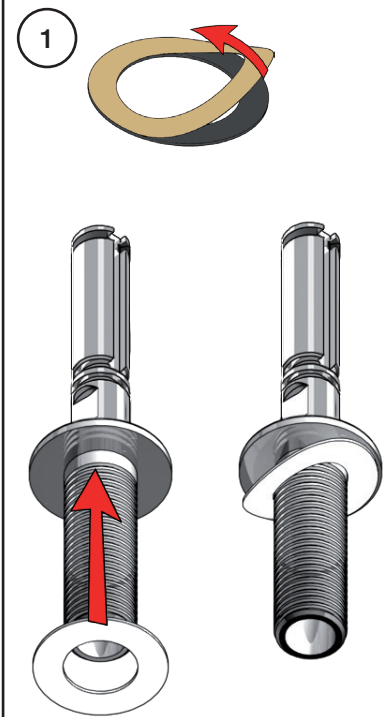


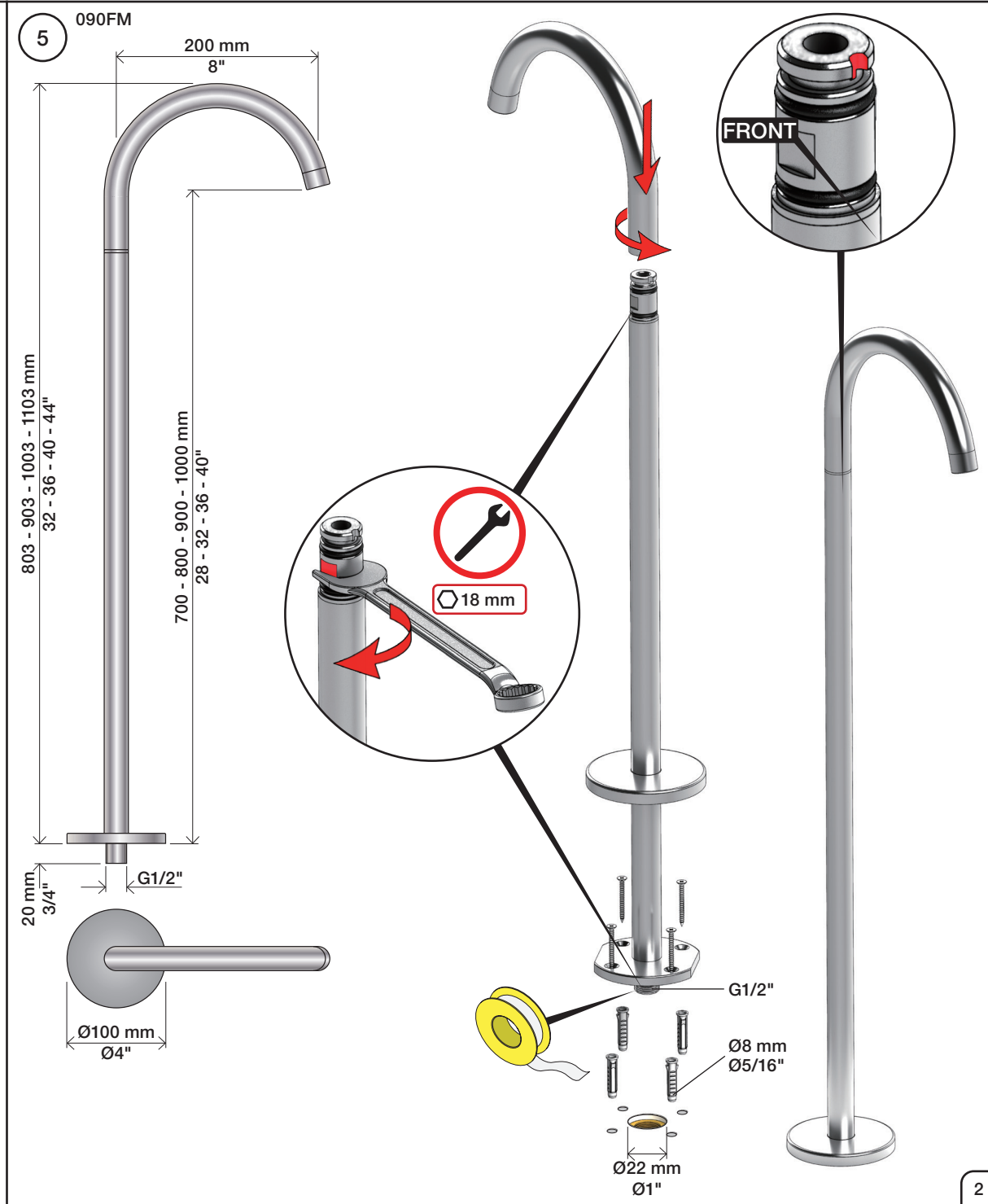
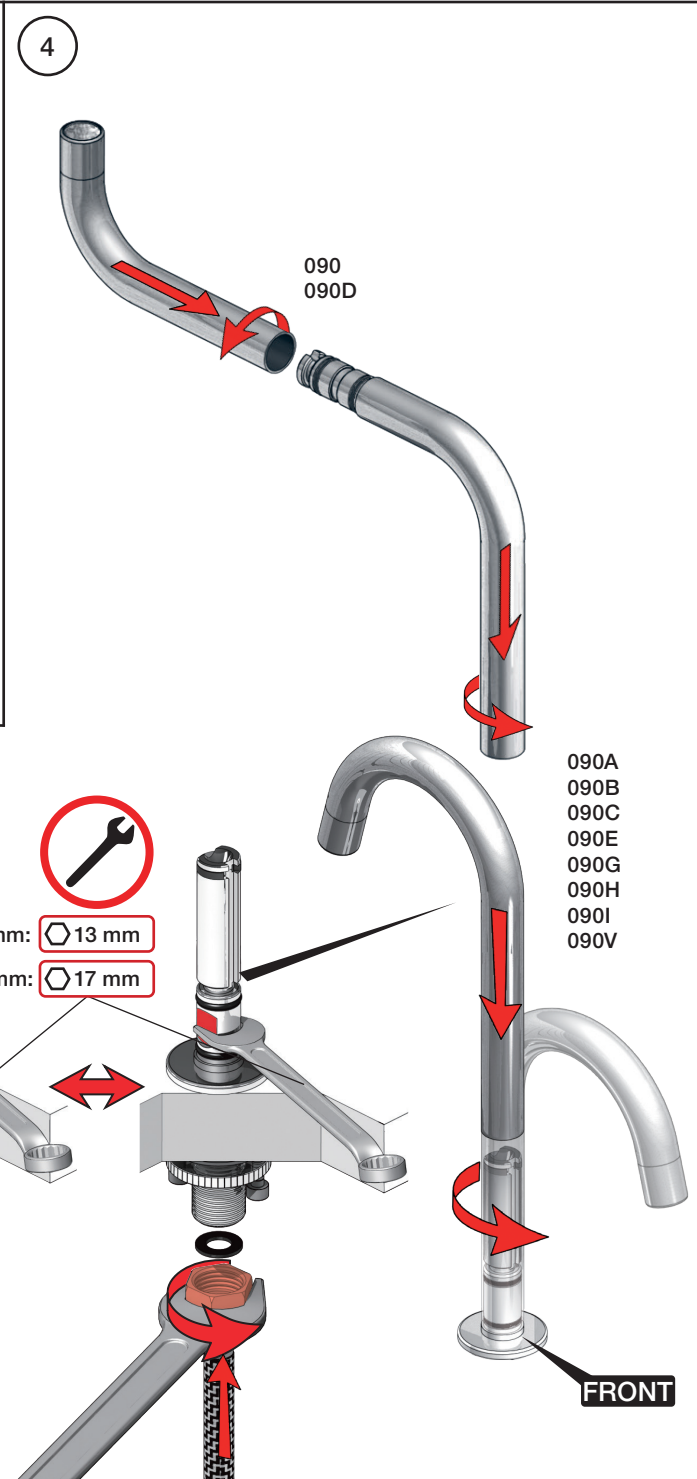
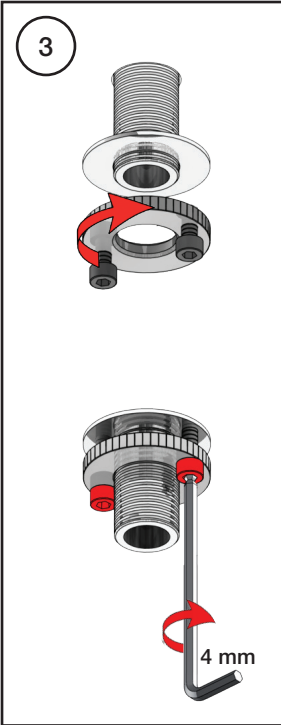
mnt_090_V4_40999824
 21-11-2023

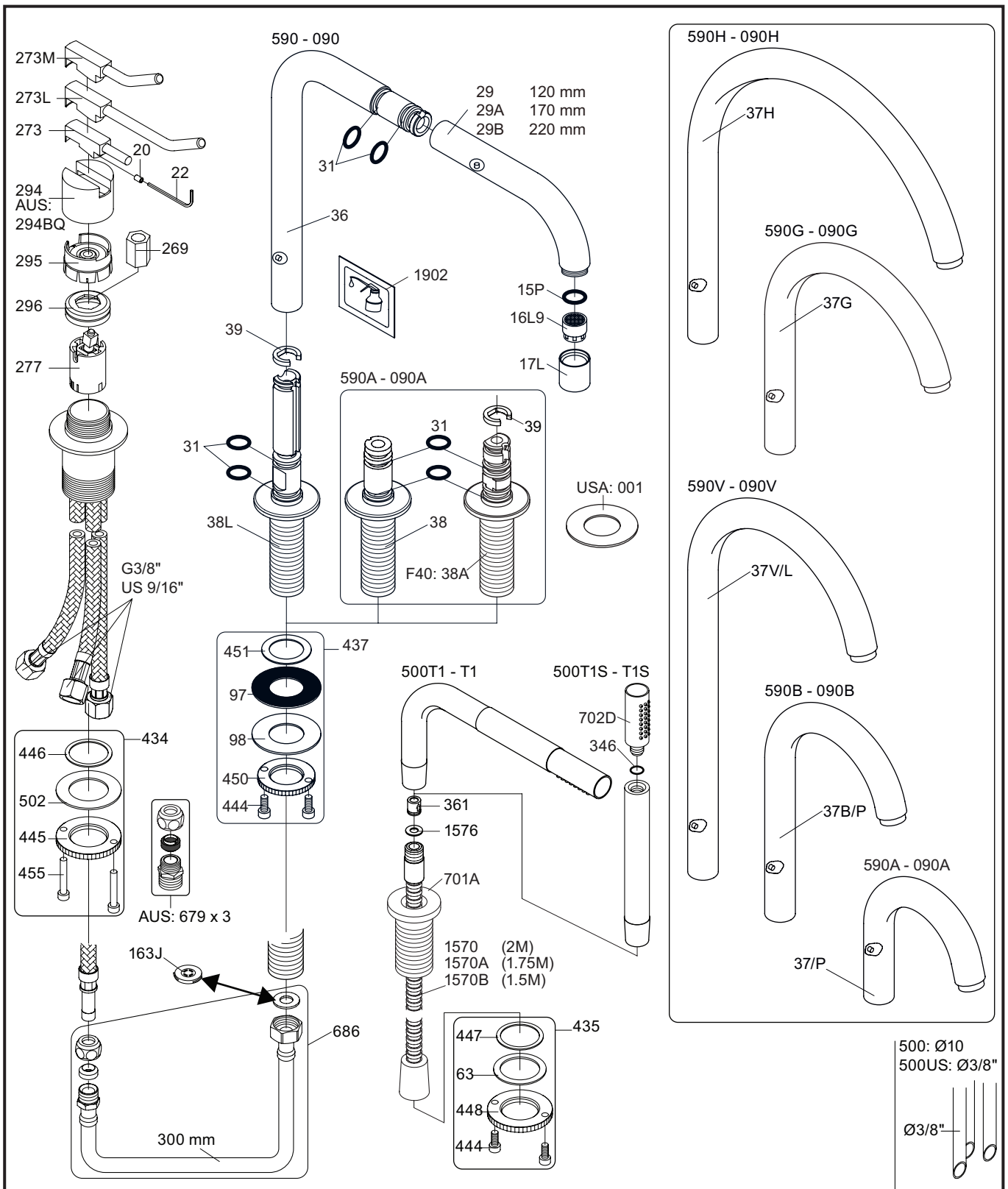


| mm: | Ø | H | D | h |
|------|----|-----|-----|-----|
| 090 | 19 | 210 | 200 | 145 |
| 090A | 19 | 110 | 85 | 40 |
| 090B | 19 | 185 | 100 | 114 |
| 090C | 24 | 185 | 100 | 114 |
| 090D | 24 | 220 | 200 | 130 |
| 090E | 24 | 170 | 200 | 65 |
| 090G | 19 | 185 | 140 | 105 |
| 090H | 19 | 265 | 220 | 155 |
| 090I | 19 | 325 | 220 | 215 |
| 090V | 19 | 355 | 145 | 270 |

| Inches: | Ø | H | D | h |
|---------|------|---------|--------|---------|
| 090 | 3/4" | 8 1/4" | 8" | 5 3/4" |
| 090A | 3/4" | 4 1/4" | 3 1/2" | 1 1/2" |
| 090B | 3/4" | 7" | 4" | 4 1/2" |
| 090C | 1" | 7" | 4" | 4 1/2" |
| 090D | 1" | 8 3/4" | 8" | 5" |
| 090E | 1" | 6 3/4" | 8" | 2 1/2" |
| 090G | 3/4" | 7" | 5 1/2" | 4" |
| 090H | 3/4" | 10 1/2" | 8 5/8" | 6" |
| 090I | 3/4" | 12 3/4" | 8 5/8" | 8 1/2" |
| 090V | 3/4" | 14" | 5 3/4" | 10 1/2" |







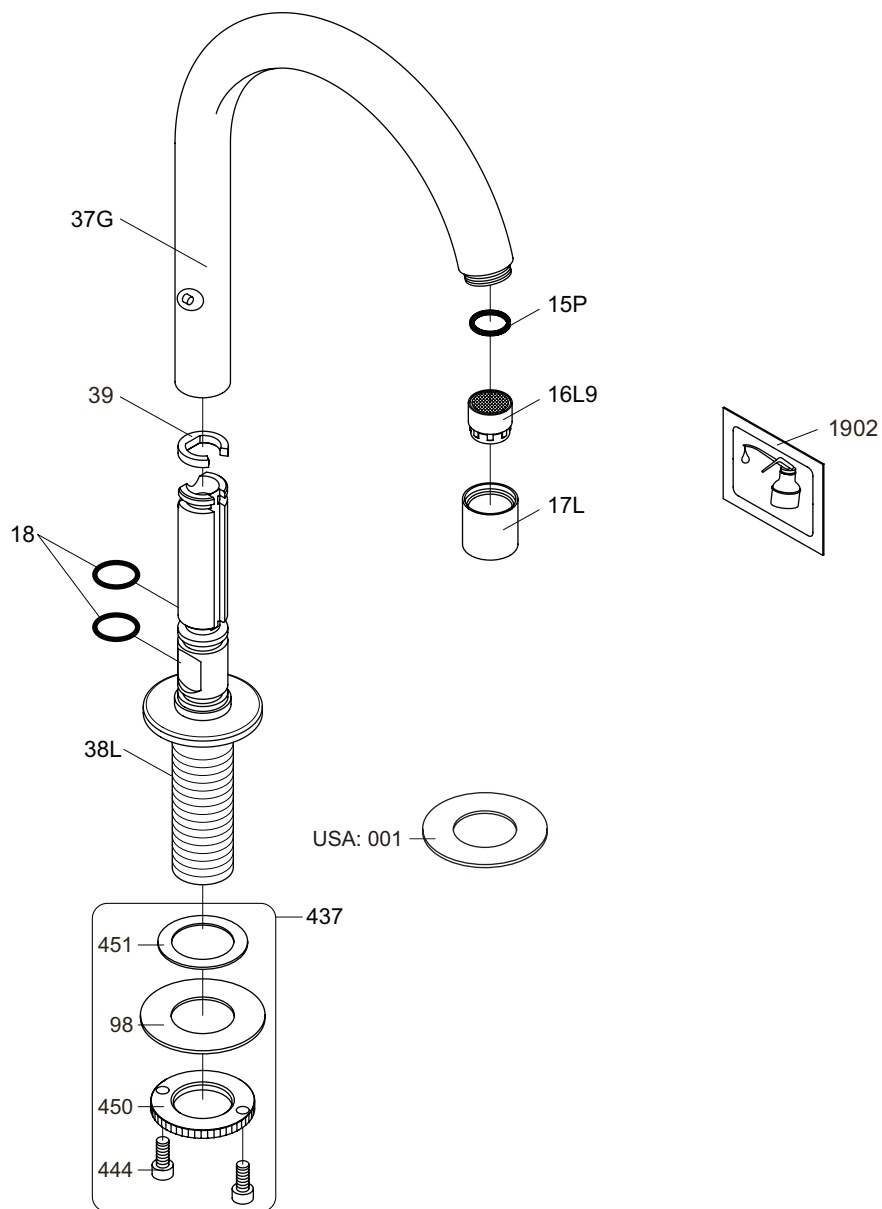
- VR277K: VR22, VR269, VR277
- VR297: VR20, VR22, VR269, VR273, VR277, VR294, VR295, VR296
- VR434: VR445, VR446, 2xVR455, VR502
- VR437: VR97, VR98, 2xVR444, VR450, VR451
- NR.10: VR20, VR22, VR273, VR294, VR295
- VR090: VR15P, VR16L9



VOLA 590 AII
VOLA 500T1/SC9
VOLA 500T1S

| | |
|-------|----------|
| Date | Feb. 23 |
| Rev. | 5 |
| Sheet | SB 27.72 |

500: Ø10
500US: Ø3/8"
Ø3/8"



VR17L9K: VR15P, VR16L9, VR17L
 VR437: VR98, 2xVR444, VR450, VR451



vola
 Lunavej 2
 DK-8700 Horsens
 Tlf : + 45 7023 5500
 sales@vola.com
 www.vola.com

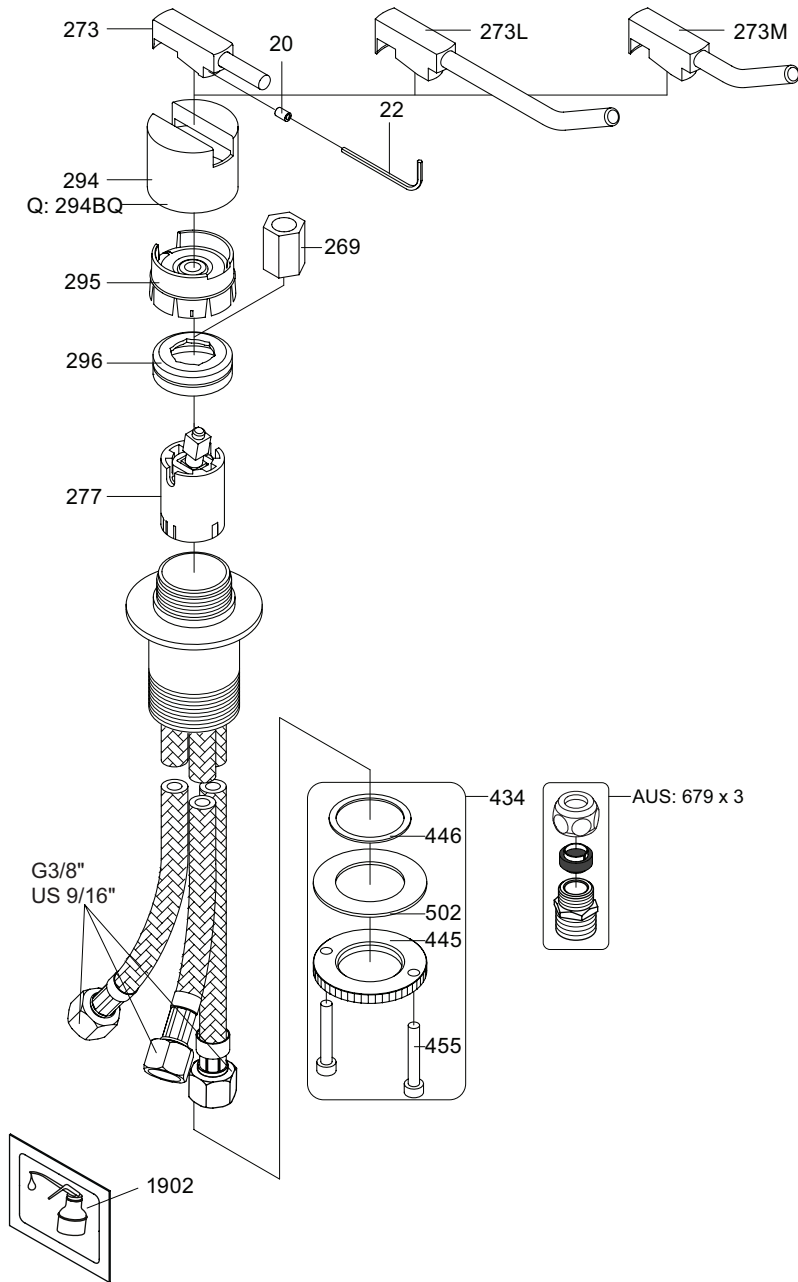
VOLA 090G

Date
 Apr. 12

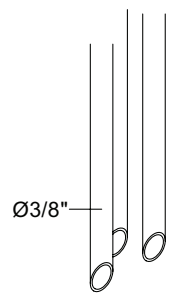
Rev.
 3

Sheet
 SB 19.3

500:



500: Ø10
500US: Ø3/8"



- VR277K: VR22, VR269, VR277
- VR297: VR20, VR22, VR269, VR273, VR277, VR294, VR295, VR296
- VR434: 2xVR444, VR445, 2xVR455, VR502
- NR.10: VR20, VR22, VR273, VR294, VR295



vola
 Lunavej 2
 DK-8700 Horsens
 Tlf : + 45 7023 5500
 sales@vola.com
 www.vola.com

VOLA 500/M/L

Date
Jan. 23

Rev.
4

Sheet
SB 4.1