

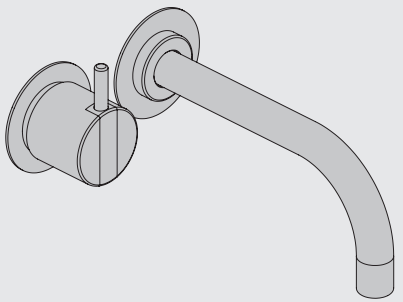
VOLA 100, 100X, 200, 200V, 300
 VOLA 400DV, 400, 400V, 400N, 400NV, 400T
 VOLA 400TV, 400F, 400FV, 400R, 400RV
 VOLA 2100, 2100X, 2200, 2200V, 2300, 2400
 VOLA 2400V, 2400N, 2400NV, 2400T, 2400TV
 VOLA 2400F, 2400FV, 2400R, 2400RV



Fitting instruction Monteringsvægledning
 Montageanleitung Montage hanledning
 Monteringsvejledning Manuel de montage



04/00029
 04/00031
 04/00055



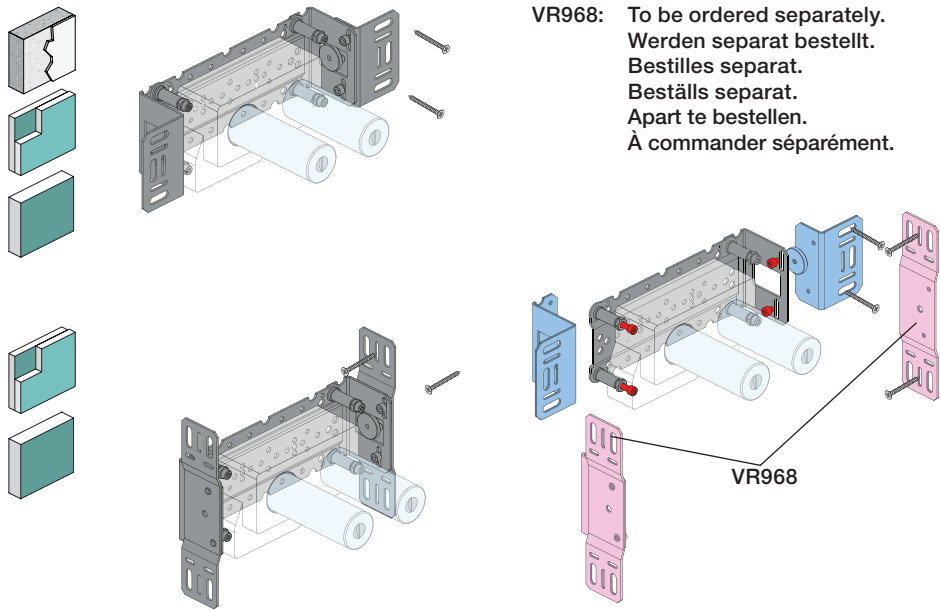
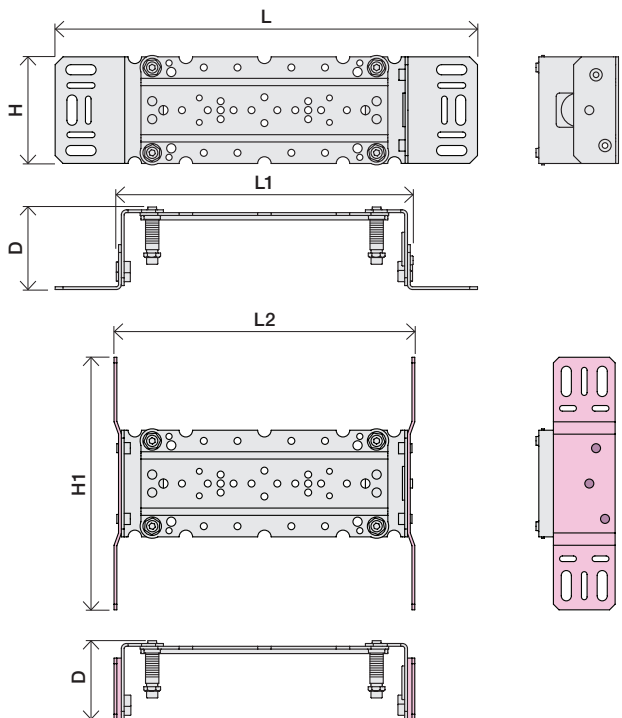
www.vola.com

100-2100_V3_40998502
 11-07-2024

vola



| | L | L1 | L2 | H | H1 | D |
|--|-------------------|---------------|-------------------|-----------------|------------------|-----------------|
| 100, 100X, 200V, 300, 400V, 400DV 2100, 2100X, 2200V, 2300, 2400V | 377 mm 14 3/4" | 260 mm 10" | 268 mm 10 1/2" | 95 mm 3 3/4" | 186 mm 7 3/8" | 70 mm 2 3/4" |
| 400NV, 400TV 2400NV, 2400TV | 475 mm 18 3/4" | 355 mm 14" | 367 mm 14 1/2" | | | |
| 400FV, 400RV 2400FV, 2400RV | 552 mm 21 3/4" | 435 mm 17" | 447 mm 17 5/8" | | | |



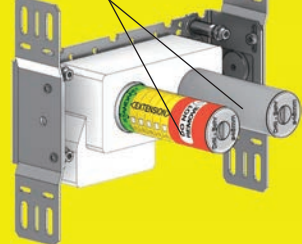
VR968: To be ordered separately.
 Werden separat bestellt.
 Bestilles separat.
 Beställs separat.
 Apart te bestellen.
 À commander séparément.

A Data, 3 Bar/43.5 Psi:

| | l/min. | Gal/min. | Max. 65°C, 150°F |
|--------|--------|----------|----------------------|
| 100: | 18,3 | 4.8 | Max.: 10 Bar/145 psi |
| 400V: | 15,6 | 4.1 | |
| 2100: | 25,2 | 6.7 | |
| 2400V: | 22,2 | 5.9 | |

B Check the local legislation.
 Bitte die örtlichen Vorschriften überprüfen.
 Tjek de lokale regler.
 Kontrollera den lokala lagstiftning.
 Verifieer de lokale regelgeving.
 Vérifiez la législation locale.

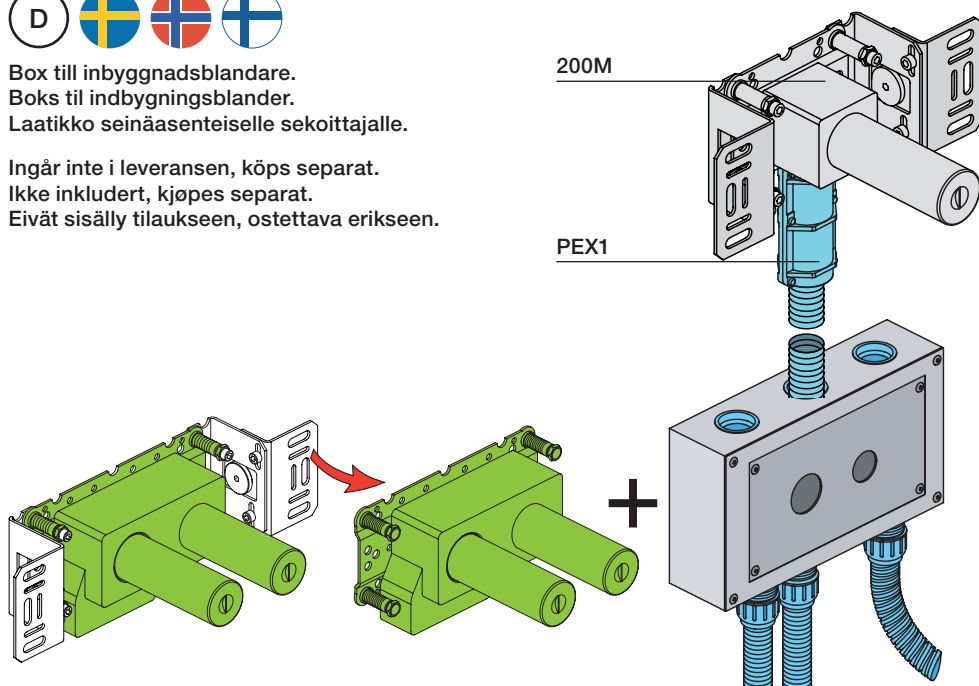
**!DO NOT!
 !REMOVE!**



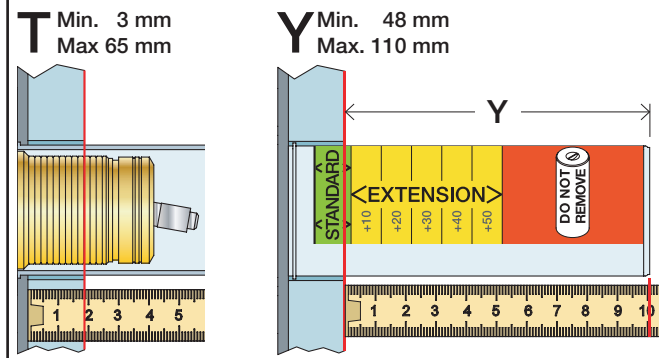
C DE: Bitte separat beiliegende Anleitung für die Schalldämpfer VR1249 beachten
 DE: Bitte separat beiliegende Anleitung für die Schallentkopplung VR972 beachten

D Box till inbyggnadsblandare.
 Boks til indbygningsblander.
 Laatikko seinäasenteiselle sekoittajalle.

Ingår inte i leveransen, köps separat.
 Ikke inkludert, kjøpes separat.
 Eivät sisälly tilaukseen, ostettava erikseen.

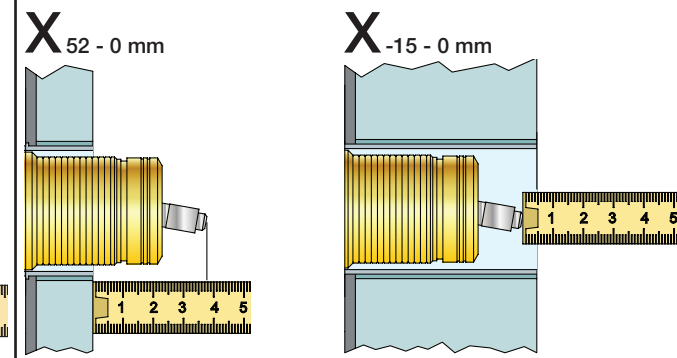


Extension
 Verlängerung
 Forlængerdele
 Förlängning
 Aanpassing
 Modification



| T | Y | VR1260/2260/1400/1020K |
|------------|-------------|------------------------|
| 3 - 15 mm | 110 - 98 mm | Std. |
| 15 - 25 mm | 98 - 88 mm | +10 |
| 25 - 35 mm | 88 - 78 mm | +20 |
| 35 - 45 mm | 78 - 68 mm | +30 |
| 45 - 55 mm | 68 - 58 mm | +40 |
| 55 - 65 mm | 58 - 48 mm | +50 |

Extension, retrofit
 Verlängerung, nachträglicher Einbau
 Forlængerdele, eftermontering
 Förlängning, eftermontering
 Aanpassing na montage
 Modification après installation

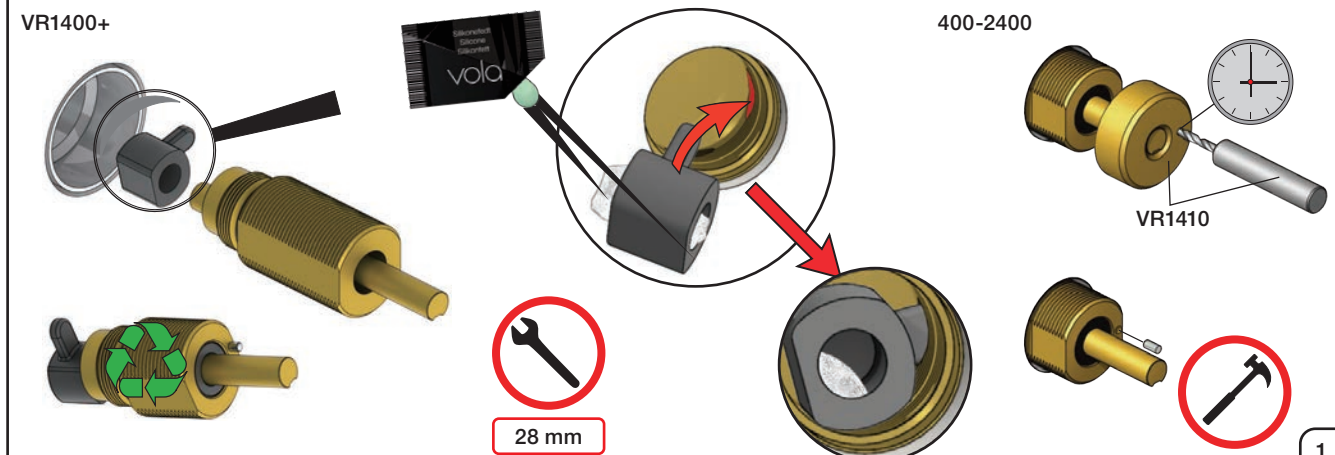
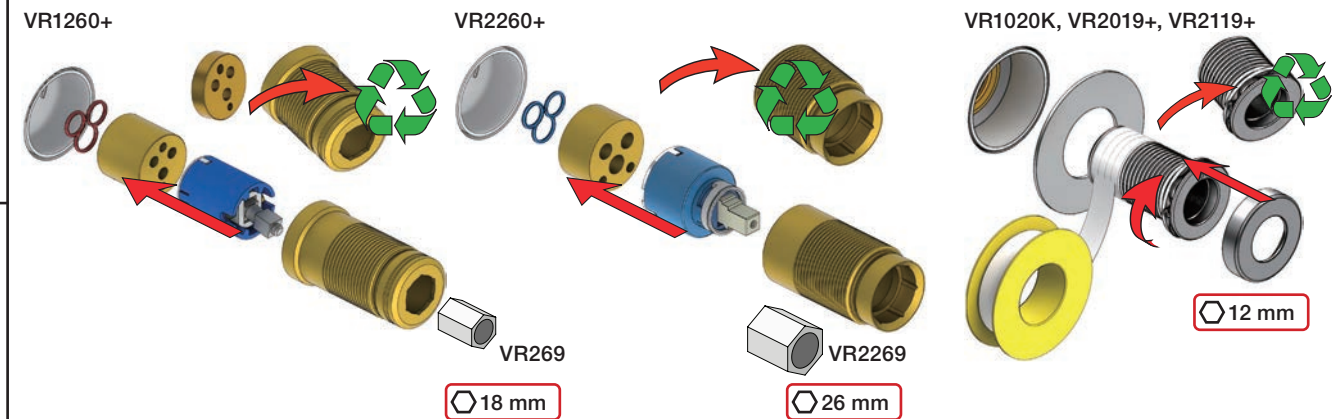


| X | VR1260 + VR1400 + VR1020K |
|------------|---------------------------|
| 40 - 52 mm | Std. |
| 30 - 40 mm | +10 |
| 20 - 30 mm | +20 |
| 10 - 20 mm | +30 |
| 0 - 10 mm | +40 |
| -10 - 0 mm | +50 |

| X | VR2260 + VR1400 + VR1020K |
|-------------|---------------------------|
| 35 - 47 mm | Std. |
| 25 - 35 mm | +10 |
| 15 - 25 mm | +20 |
| 5 - 15 mm | +30 |
| -5 - 5 mm | +40 |
| -15 - -5 mm | +50 |

Fitting of extension
 Montage von verlängerung
 Monterings af forlængerdele

Montering av förlängning
 Montage van de verlengstukken
 Montage des rallonges





2x13 mm Lightweight wall
 Leichtwand
 Let væg

Lätta konstruktion
 Holle wandconstructie
 Construction légère



1x15 mm
1x18 mm
1x20 mm

2x13 mm

Lightweight wall
 Leichtwand
 Let væg

Lätta konstruktion
 Holle wandconstructie
 Construction légère



Masonry
 Mauerwerk
 Murværk

Murverk
 Massieve wand
 Mur Plein



2

Test Pressure
 Prüfdruck
 testtryk
 Test tryk
 Test druk

Check the local legislation.
 Bitte die örtlichen Vorschriften überprüfen.
 Tjek de lokale regler.
 Kontrollera den lokala lagstiftning.
 Verifieer de lokale regelgeving.
 Vérifiez la législation locale.

1. MAX. 16 Bar
232 Psi

2. MAX. 4 Bar
58 Psi

! Water - Wasser - Vand - Vatten - Water - L'eau
! MAX 1 Minute - Minut - Minuut !

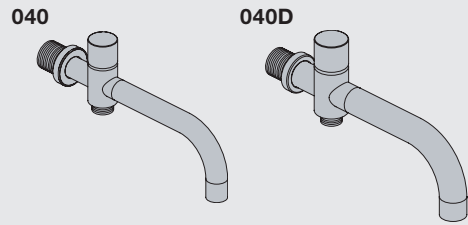


VOLA 010, 020, 030, 040
VOLA 010C, 020C, 040D

Fitting instruction
 Montageanleitung
 Monteringsvejledning
 Monteringsvægledning
 Montage hanleiding
 Manuel de montage



04/00026
 04/00101
 04/00175
 04/00298



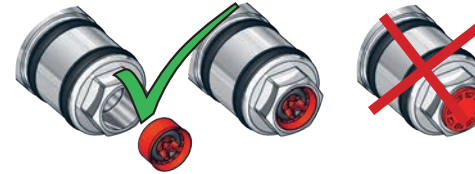
www.vola.com
 mnt_010_V1_40998360
 23-05-2023



| Standard Flow data: | | Max. |
|---------------------|-----------|--------------------------|
| 010/020 | (l/min) | 5.0 |
| | (Gal/min) | 1.3 |
| 010C/020C | (l/min) | 30 |
| | (Gal/min) | 7.9 |
| 030 | (l/min) | 9.0 |
| | (Gal/min) | 2.0 |
| 040 | (l/min) | 25 |
| | (Gal/min) | 6.6 |
| 040D | (l/min) | 30 |
| | (Gal/min) | 7.9 |
| | | Max. 65°C. Max. 150°F |



VR161:
 VR161K: 7 l/min - 1.8 Gal/min
 VR161D: 9 l/min - 2.5 Gal/min
 VR161F: 14 l/min - 3.7 Gal/min

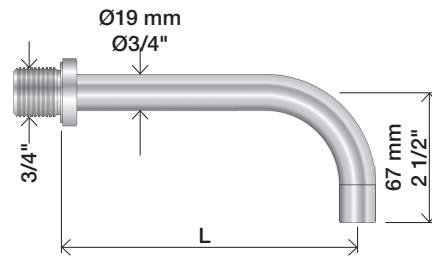


For more water saving possibilities please see:
 Weitere Wassersparmöglichkeiten finden Sie auf:
 For flere vandbesparende muligheder se venligst:
 För mer vattenbesparande möjligheter hänvisas till:
 Voor meer waterbesparende mogelijkheden zie:
 Pour plus d'informations sur les options : économie d'eau, voir le site:

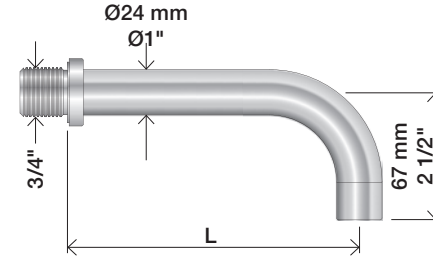
www.vola.com



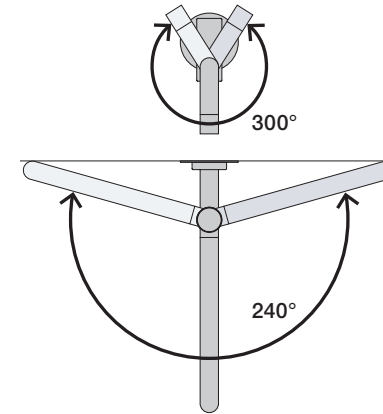
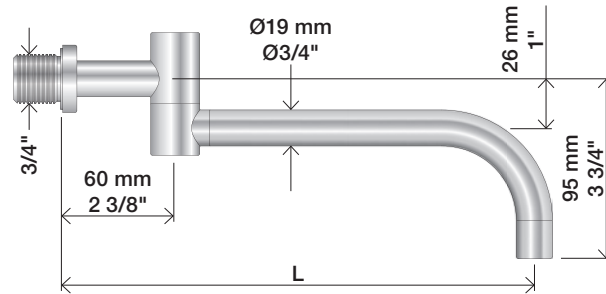
010, 020



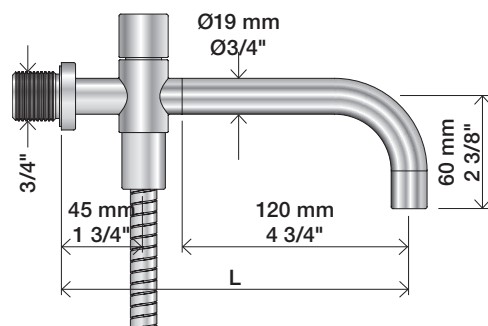
010C, 020C



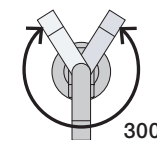
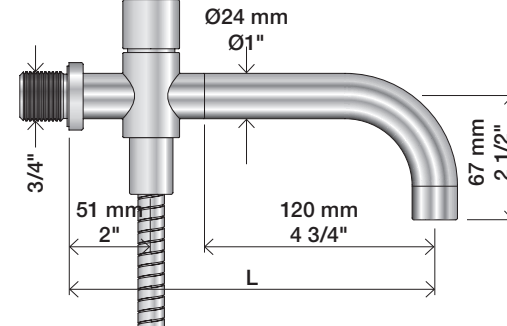
030



040



040D



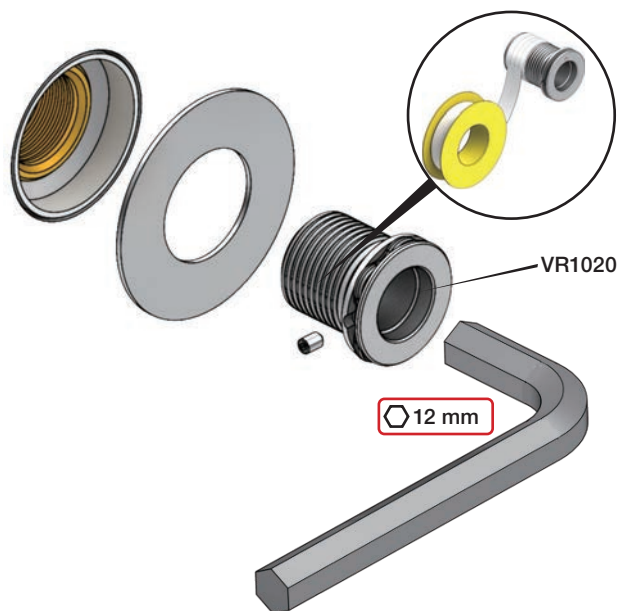
| | L (mm) | L (Inch) |
|------------|--------|----------|
| 010(C)/100 | 100 | 4" |
| 010(C)/130 | 130 | 5" |
| 010(C)/160 | 160 | 6" |
| 020(C)/200 | 200 | 7 3/4" |
| 020(C)/225 | 225 | 8 3/4" |
| 020(C)/260 | 260 | 10 1/4" |
| 020(C)/300 | 300 | 11 3/4" |

| | L (mm) | L (Inch) |
|---------|--------|----------|
| 030/200 | 200 | 7 3/4" |
| 030/250 | 250 | 9 3/4" |
| 030/300 | 300 | 11 3/4" |
| 030/350 | 350 | 13 3/4" |

| | L (mm) | L (Inch) |
|----------|--------|----------|
| 040 | 185 | 7 3/4" |
| 040D | 200 | 7 3/4" |
| 040D/250 | 250 | 9 3/4" |
| 040D/300 | 300 | 11 3/4" |

1

010, 010C, 020, 020C, 030, 040, 040D



12 mm

2



3

Ø19: 010, 020, 030, 040



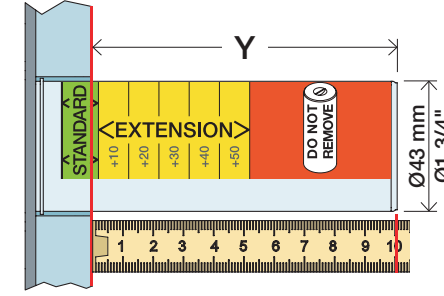
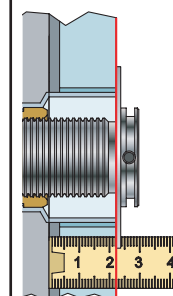
2.0 mm

Ø24: 010C, 020C, 040D



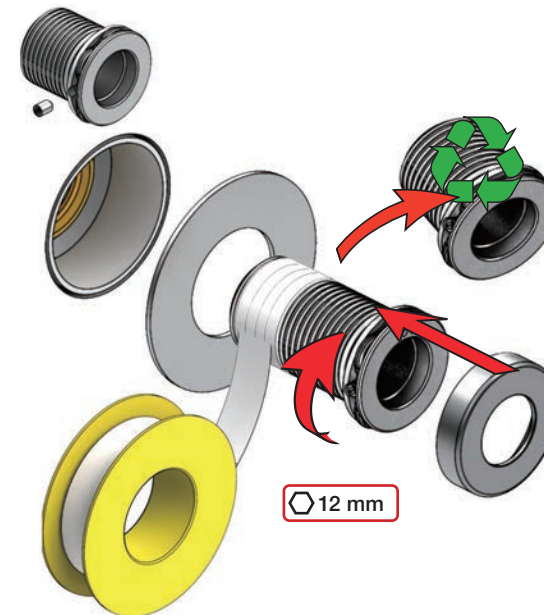
2.0 mm

1/2"

Extension
VerlängerungForlængerdele
FörlängningVerlengstukken
ModificationT Min. 3 mm
Max. 65 mmY Min. 48 mm
Max. 110 mm

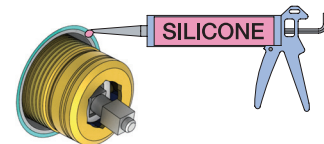
| T | Y | VR1020K | VR2019 (Ø19) VR2119 (Ø24) |
|------------|-------------|---------|------------------------------|
| 3 - 15 mm | 110 - 98 mm | | Std. |
| 15 - 25 mm | 98 - 88 mm | | +10 |
| 25 - 35 mm | 88 - 78 mm | | +20 |
| 35 - 45 mm | 78 - 68 mm | | +30 |
| 45 - 55 mm | 68 - 58 mm | | +40 |
| 55 - 65 mm | 58 - 48 mm | | +50 |

VR1020K+ / VR2019+ / VR2219+



12 mm

Do not cut the membrane
 Die Membran nicht schneiden
 Skær ikke membranen
 * Skär inte membranet
 Snij het membraan niet door
 Ne coupez pas la membrane
 No cortar la membrana



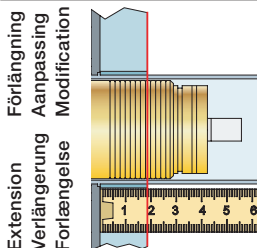
*Membran används inte i SVERIGE,
 ihop med inbyggnadsboxen.

NR.21:

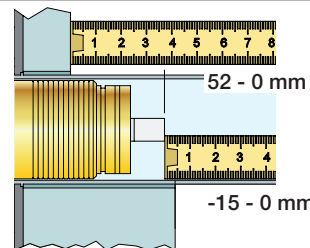
1

NR.28+19+24:

2

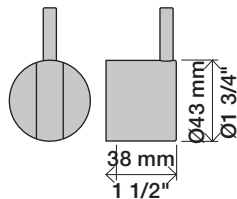


| VR2260/VR1400/VR2019 | | |
|----------------------|------------|------|
| | 3 - 15 mm | Std. |
| Tiles: | 15 - 25 mm | +10 |
| Fliesen: | 25 - 35 mm | +20 |
| Tegels: | 35 - 45 mm | +30 |
| Carreaux: | 45 - 55 mm | +40 |
| | 55 - 65 mm | +50 |

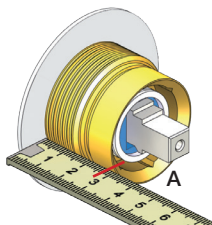


| VR2260/VR1400/VR2019 | | |
|----------------------|------------|------|
| | 35 - 47 mm | Std. |
| | 25 - 35 mm | +10 |
| | 15 - 25 mm | +20 |
| | 5 - 15 mm | +30 |
| | -5 - 5 mm | +40 |
| | -15 - 5 mm | +50 |

NR 21

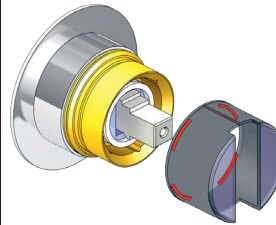


NR 21 - 1

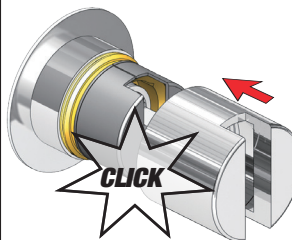


| | | A |
|---------|-------|------------|
| VR2279 | 16 mm | 30 - 34 mm |
| VR2279B | 12 mm | 26 - 30 mm |
| VR2279C | 8 mm | 22 - 26 mm |

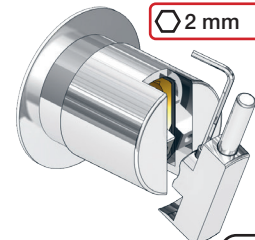
NR 21 - 2



NR 21 - 3



NR 21 - 4





| VR1260/VR1400/VR2019 | | |
|-------------------------------|------------|------|
| Tegels: Carreaux: | 3 - 15 mm | Std. |
| | 15 - 25 mm | +10 |
| | 25 - 35 mm | +20 |
| | 35 - 45 mm | +30 |
| Tiles: Fliesen: Fliser: | 45 - 55 mm | +40 |
| | 55 - 65 mm | +50 |

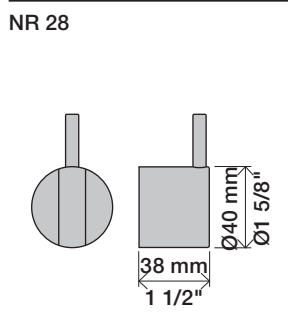


| VR1260/VR1400/VR2019 | | |
|----------------------|------|--|
| 40 - 52 mm | Std. | |
| 30 - 40 mm | +10 | |
| 20 - 30 mm | +20 | |
| 10 - 20 mm | +30 | |
| 0 - 10 mm | +40 | |
| -10 - 0 mm | +50 | |

NR 19/NR24

NR 19:
 Ø40 mm
 Ø1 5/8"

NR 24:
 Ø43 mm
 Ø1 3/4"



NR 28 - 1

VR3279 VR3279B VR3279C

| | A | |
|---------|-------|------------|
| VR3279 | 16 mm | 31 - 36 mm |
| VR3279B | 12 mm | 27 - 32 mm |
| VR3279C | 8 mm | 23 - 28 mm |

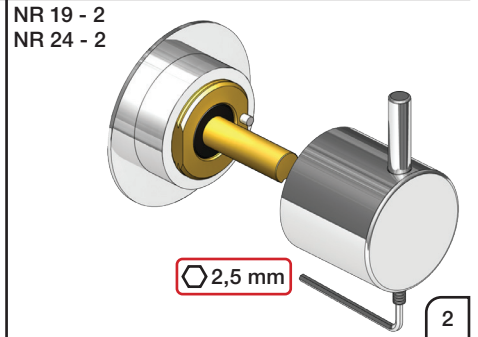
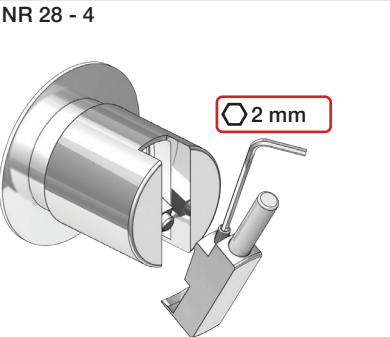
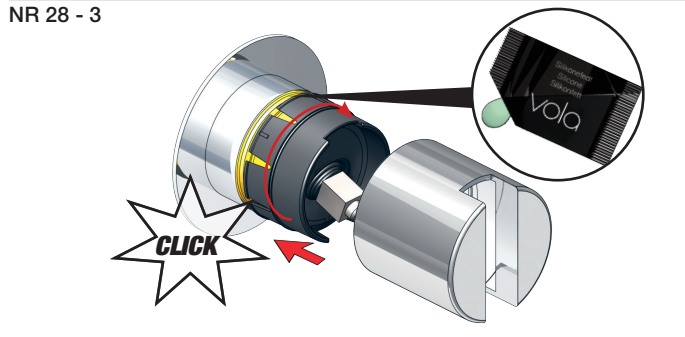


NR 19 - 1
NR 24 - 1

VR2204 VR2204B VR2204C

NR 19 - VR665

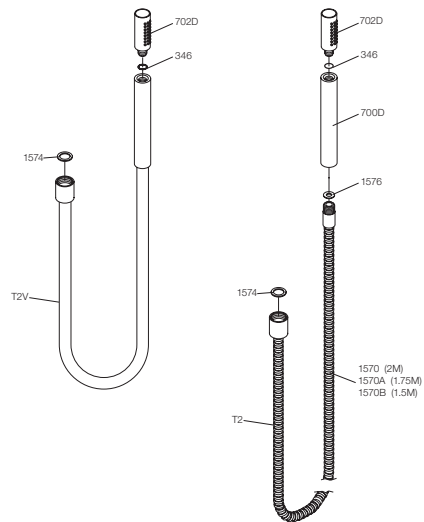
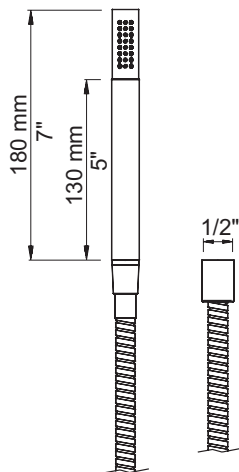
| | A | |
|---------|-------|------------|
| VR665 | 16 mm | ALL |
| VR2204 | 16 mm | 16 - 21 mm |
| VR2204B | 12 mm | 11 - 17 mm |
| VR2204C | 8 mm | 7 - 13 mm |



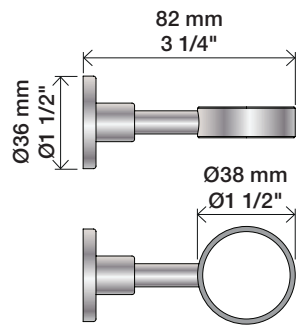
VOLA T2



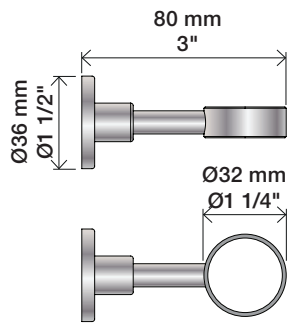
VOLA T2



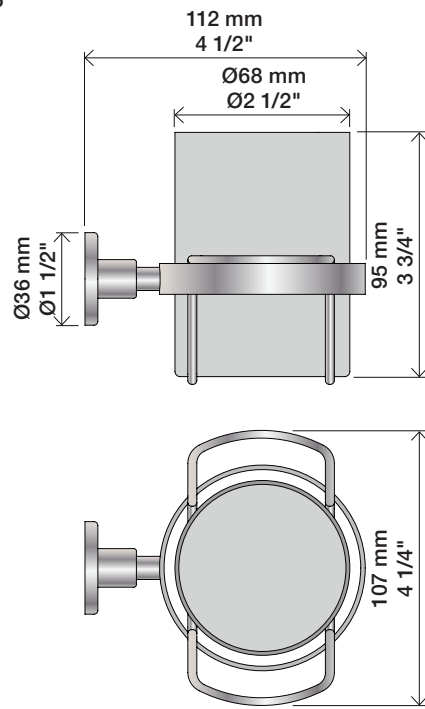
T4



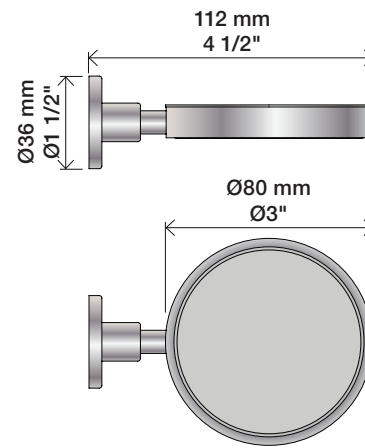
T5



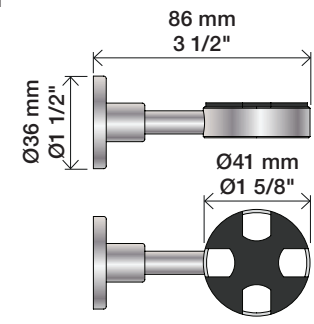
T6



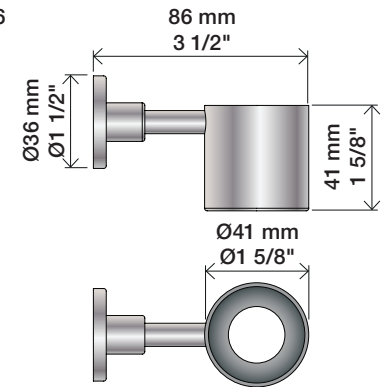
T7



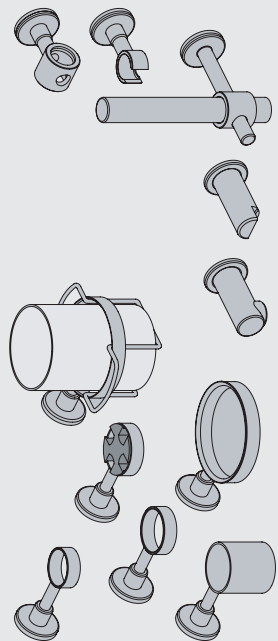
T11



T16



VOLA T3, T4, T5, T6, T7, T8, T9, T11, T14, T16, T27



www.vola.com

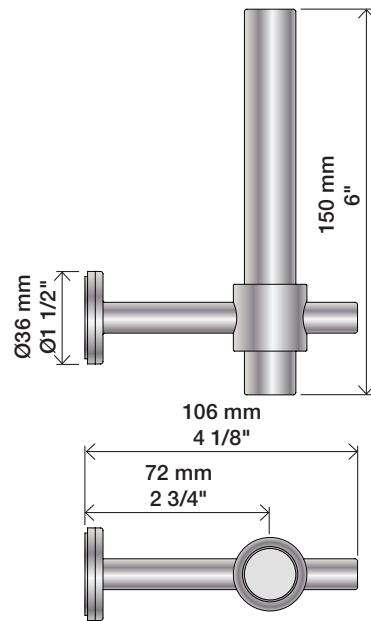
vola



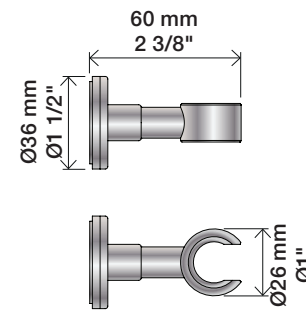
5 1703182 372310

mnt_T3-T27_V3_40999247
01-04-2022

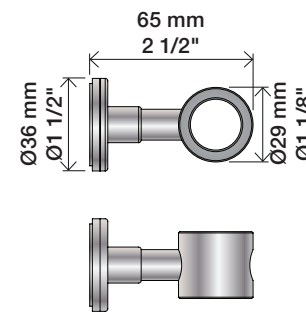
T14



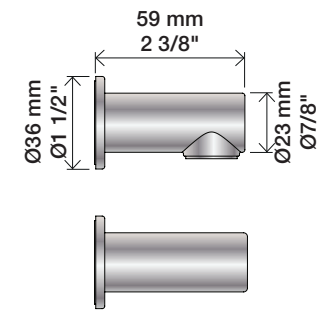
T8



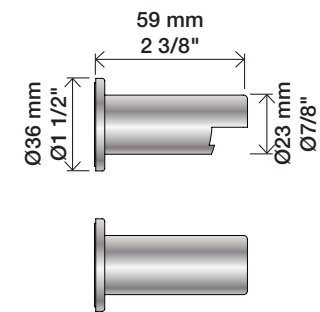
T9



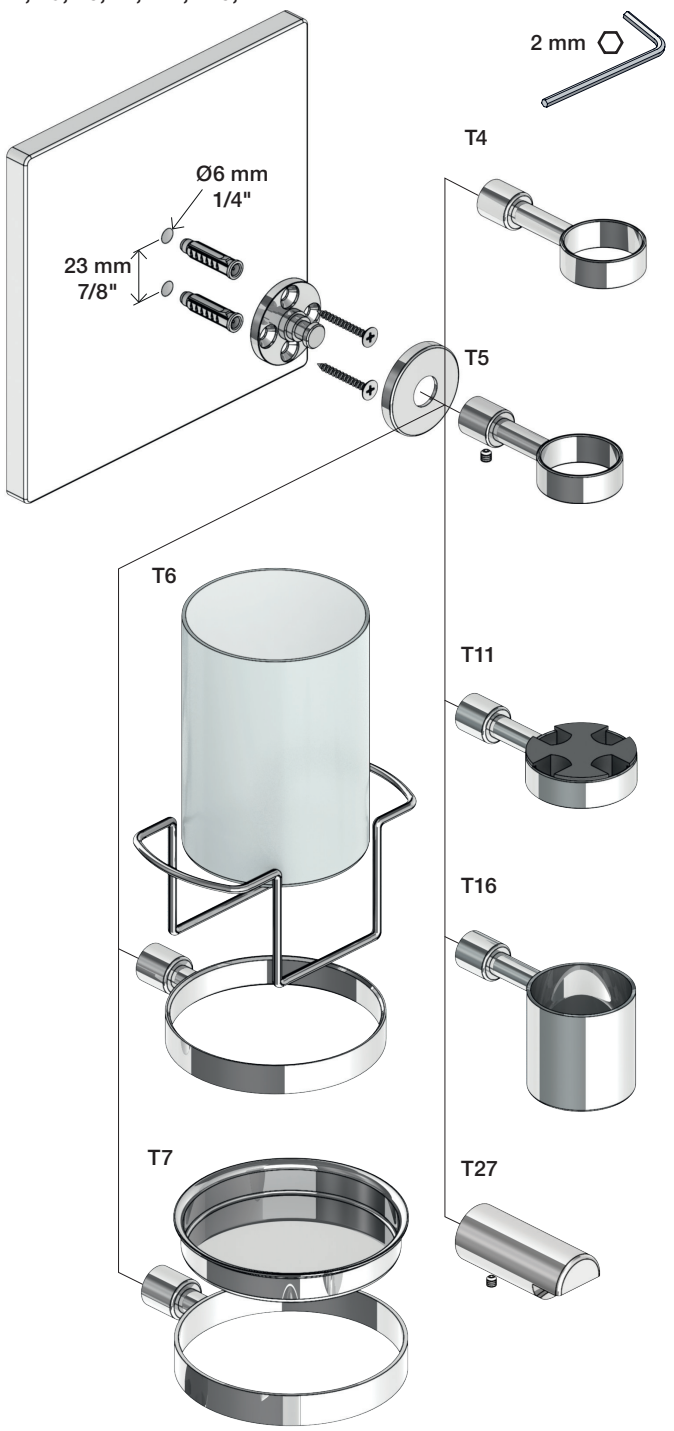
T3



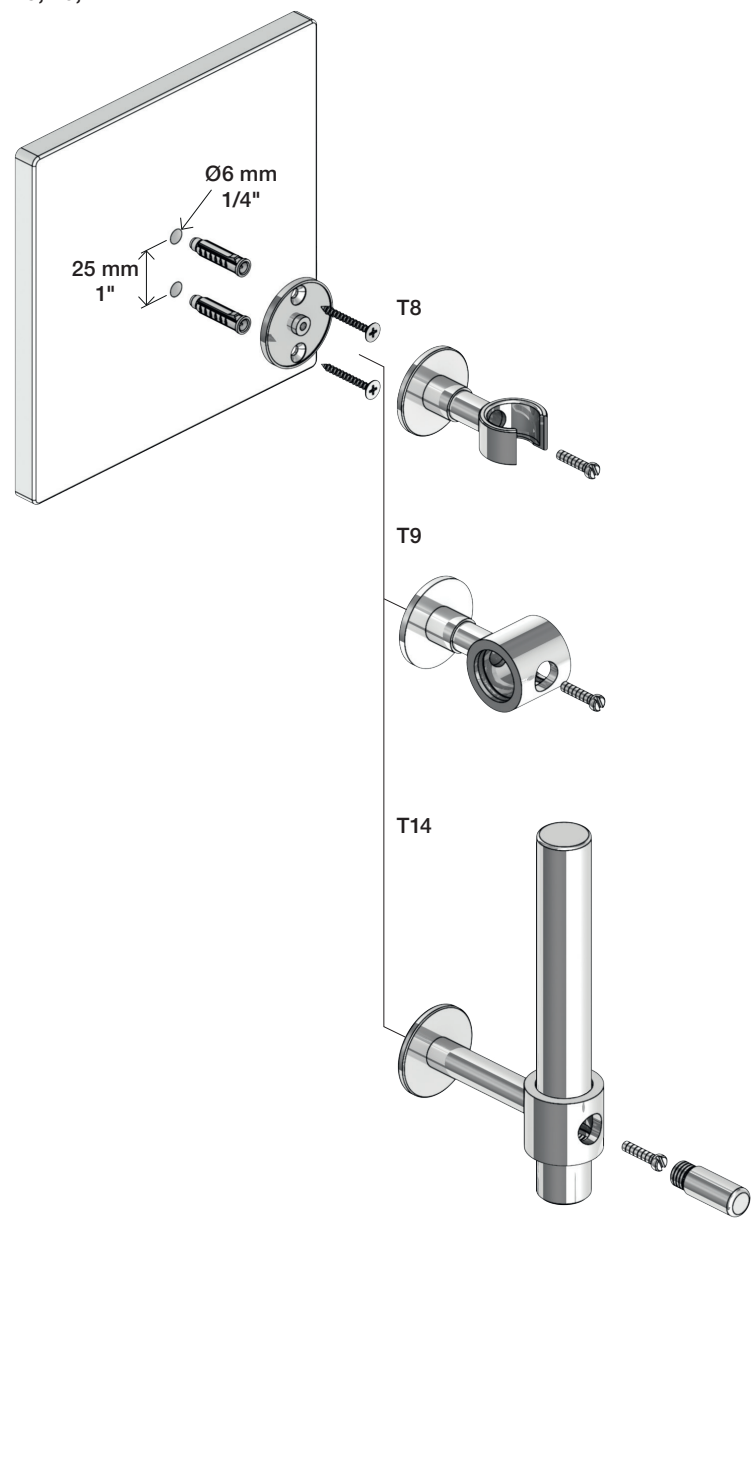
T27



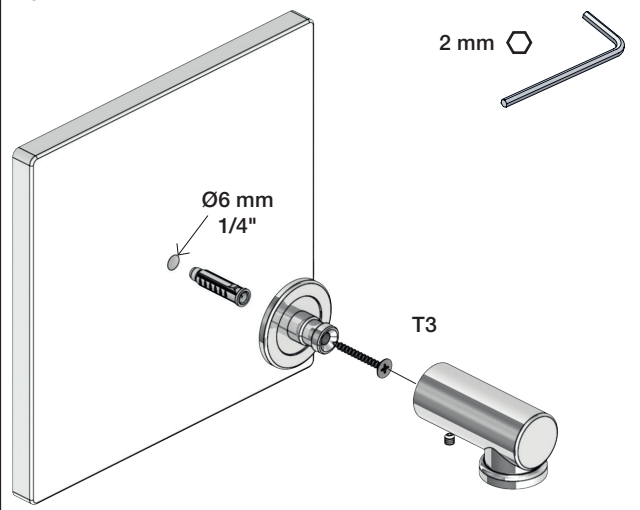
T4, T5, T6, T7, T11, T16, T27

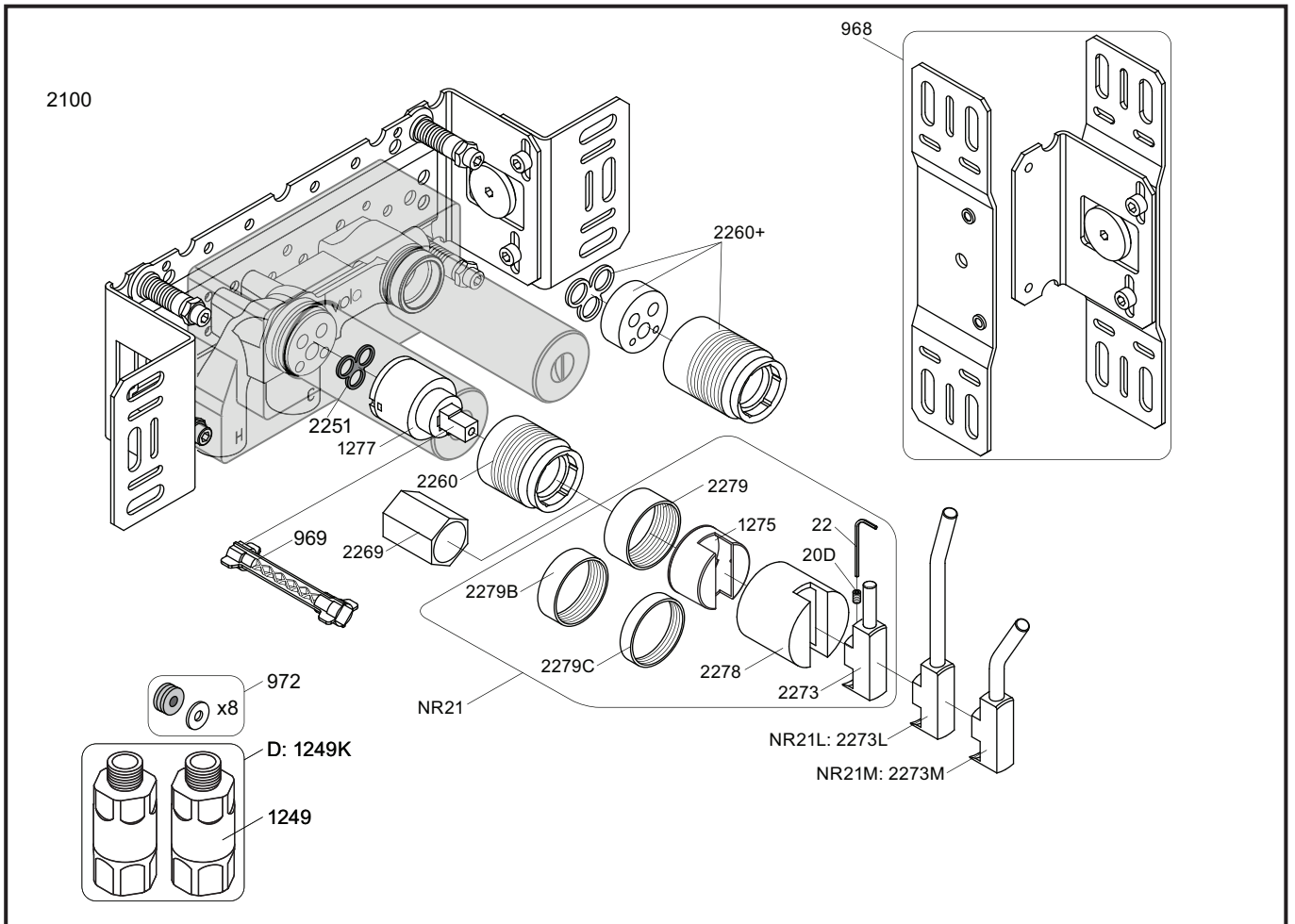


T8, T9, T14



T3





NR21: VR20D, VR22, VR1275, VR2269, VR2273, VR2278, VR2279, VR2279B, VR2279C
 VR1277K: VR22, VR1277, VR2269

| | | | |
|-------------------------|--------------------------|--------------------------|-------------------------|
| <p>2100</p> <p>2927</p> | <p>2100X</p> <p>2927</p> | <p>2200V</p> <p>2928</p> | <p>2300</p> <p>2927</p> |
| <p>2002</p> | <p>2003KB</p> | <p>2003B</p> | <p>2002</p> |
| <p>2001, 001</p> | <p>2001, 001</p> | <p>2001</p> | <p>2001, 001</p> |



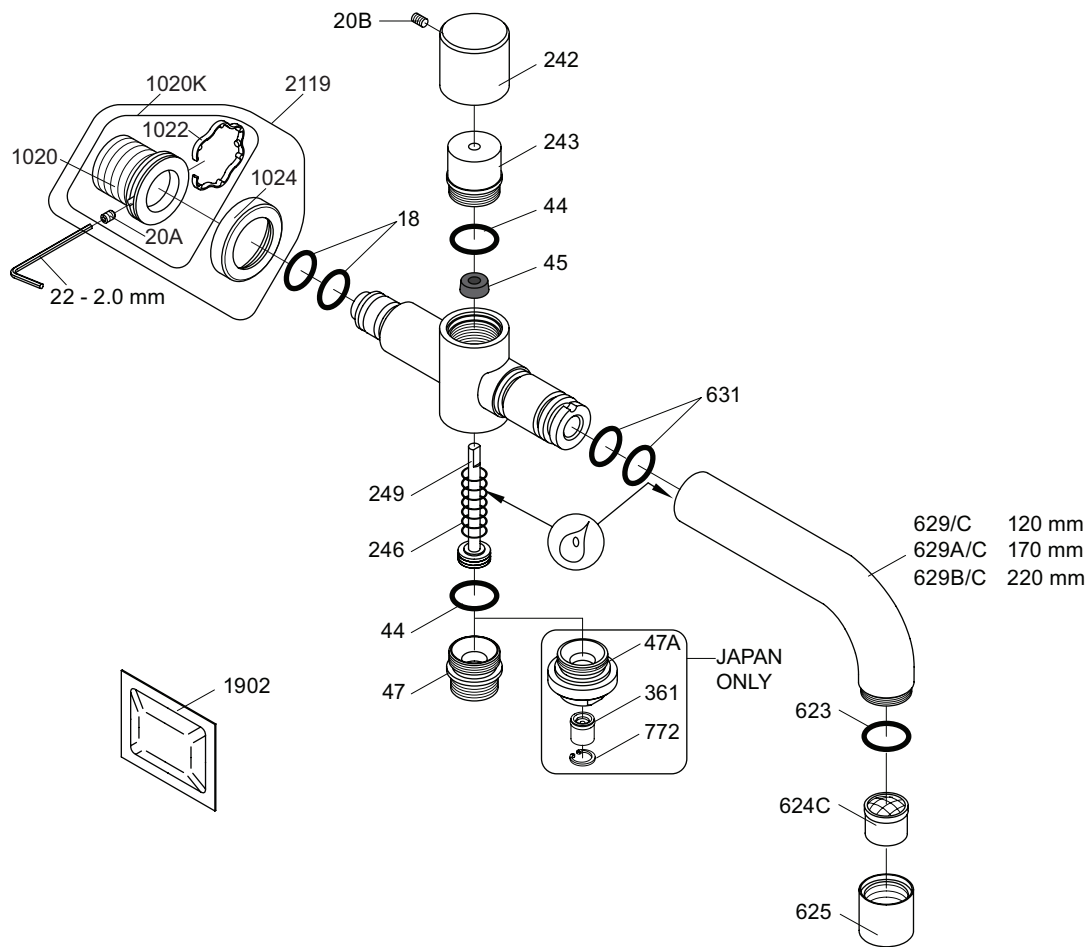
vola
 Lunavej 2
 DK-8700 Horsens
 Tlf : + 45 7023 5500
 sales@vola.com
 www.vola.com

VOLA 2100
 2100X, 2200V, 2300

Date
 May. 22

Rev.
 4

Sheet
 SB 10.7



VR040D/: VR22, VR44, VR45, VR246, VR623, VR624/A/C/D/E/F, 2xVR631, VR1902
 VR1020K: VR20A, VR22, VR1020, VR1022
 VR2119: VR20A, VR22, VR1020, VR1022, VR1024



vola
 Lunavej 2
 DK-8700 Horsens
 Tlf : + 45 7023 5500
 sales@vola.com
 www.vola.com

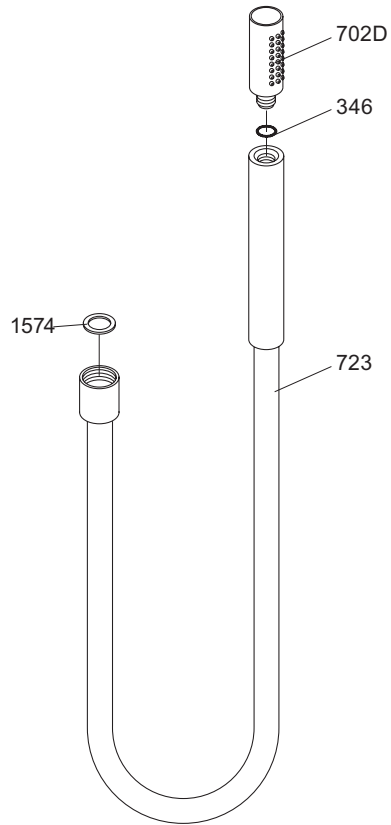
VOLA 040D/C

Date
Apr, 21

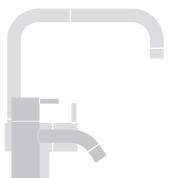
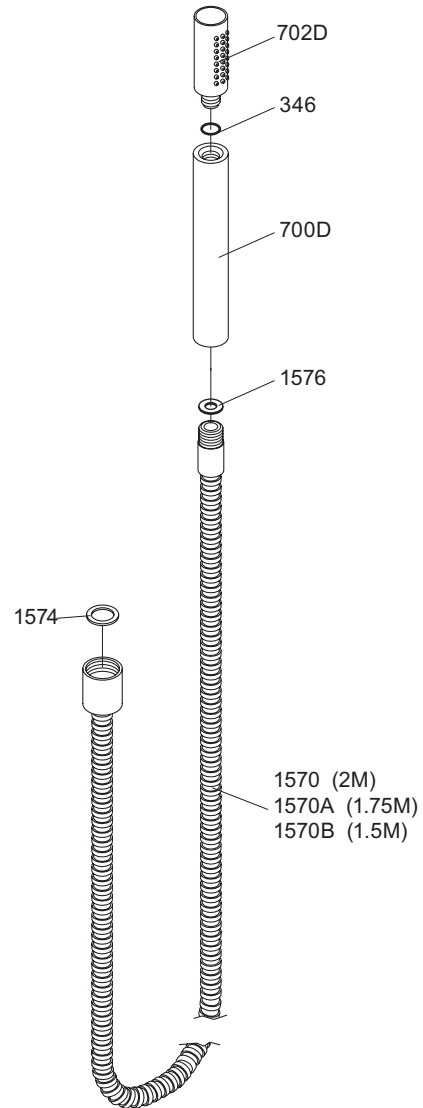
Rev.
2

Sheet
SB 20.1

T2V:



T2:



vola

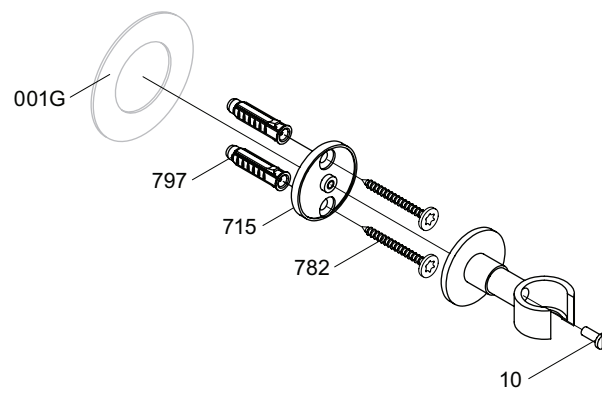
Lunavej 2
DK-8700 Horsens
Tlf : + 45 7023 5500
sales@vola.com
www.vola.com

VOLA T2V & T2

Date
Sep. 07

Rev.
1

Sheet
SB 40



VR715: VR715, 2xVR782, 2xVR797



Lunavej 2
DK-8700 Horsens
Tlf : + 45 7023 5500
sales@vola.com
www.vola.com

VOLA T8

Date
Sep. 24

Rev.
2

Sheet
SB 40.6