

VOLA 100, 100X, 200, 200V, 300
 VOLA 400DV, 400, 400V, 400N, 400NV, 400T
 VOLA 400TV, 400F, 400FV, 400R, 400RV
 VOLA 2100, 2100X, 2200, 2200V, 2300, 2400
 VOLA 2400V, 2400N, 2400NV, 2400T, 2400TV
 VOLA 2400F, 2400FV, 2400R, 2400RV



Fitting instruction Monteringsvægledning
 Montageanleitung Montage hanleiding
 Monteringsvejledning Manuel de montage



04/00029
 04/00031
 04/00055



www.vola.com

100-2100_V3_40998502
 11-07-2024

vola



5 705230 286211

| | L | L1 | L2 | H | H1 | D |
|--|-------------------|---------------|-------------------|-----------------|------------------|-----------------|
| 100, 100X, 200V, 300, 400V, 400DV, 2100, 2100X, 2200V, 2300, 2400V | 377 mm 14 3/4" | 260 mm 10" | 268 mm 10 1/2" | 95 mm 3 3/4" | 186 mm 7 3/8" | 70 mm 2 3/4" |
| 400NV, 400TV, 2400NV, 2400TV | 475 mm 18 3/4" | 355 mm 14" | 367 mm 14 1/2" | | | |
| 400FV, 400RV, 2400FV, 2400RV | 552 mm 21 3/4" | 435 mm 17" | 447 mm 17 5/8" | | | |



VR968: To be ordered separately.
 Werden separat bestellt.
 Bestilles separat.
 Beställs separat.
 Apart te bestellen.
 À commander séparément.

A Data, 3 Bar/43.5 Psi:

| | l/min. | Gal/min. | Max. 65°C, 150°F |
|--------|--------|----------|----------------------|
| 100: | 18,3 | 4.8 | Max.: 10 Bar/145 psi |
| 400V: | 15,6 | 4.1 | |
| 2100: | 25,2 | 6.7 | |
| 2400V: | 22,2 | 5.9 | |

B Check the local legislation.
 Bitte die örtlichen Vorschriften überprüfen.
 Tjek de lokale regler.
 Kontrollera den lokala lagstiftning.
 Verifieer de lokale regelgeving.
 Vérifiez la législation locale.



C DE: Bitte separat beiliegende Anleitung für die Schalldämpfer VR1249 beachten

DE: Bitte separat beiliegende Anleitung für die Schallentkopplung VR972 beachten



| T | Y | VR1260/2260/1400/1020K |
|------------|-------------|------------------------|
| 3 - 15 mm | 110 - 98 mm | Std. |
| 15 - 25 mm | 98 - 88 mm | +10 |
| 25 - 35 mm | 88 - 78 mm | +20 |
| 35 - 45 mm | 78 - 68 mm | +30 |
| 45 - 55 mm | 68 - 58 mm | +40 |
| 55 - 65 mm | 58 - 48 mm | +50 |



| X | VR1260 + VR1400 + VR1020K |
|------------|---------------------------|
| 40 - 52 mm | Std. |
| 30 - 40 mm | +10 |
| 20 - 30 mm | +20 |
| 10 - 20 mm | +30 |
| 0 - 10 mm | +40 |
| -10 - 0 mm | +50 |

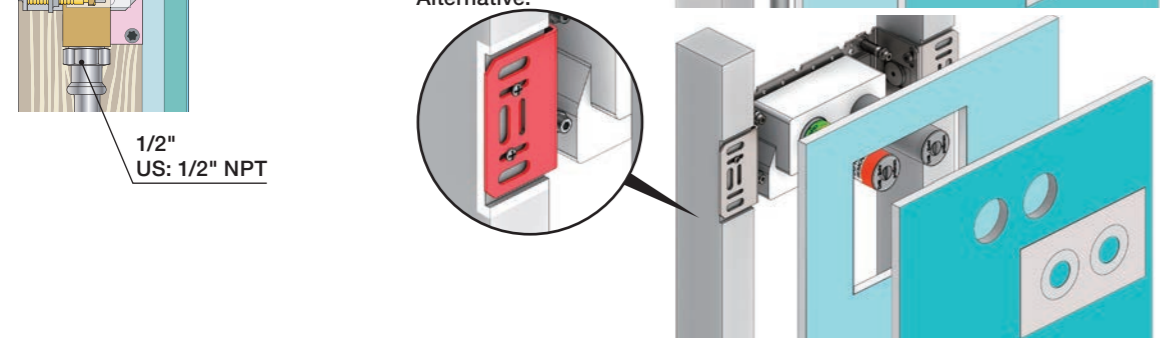
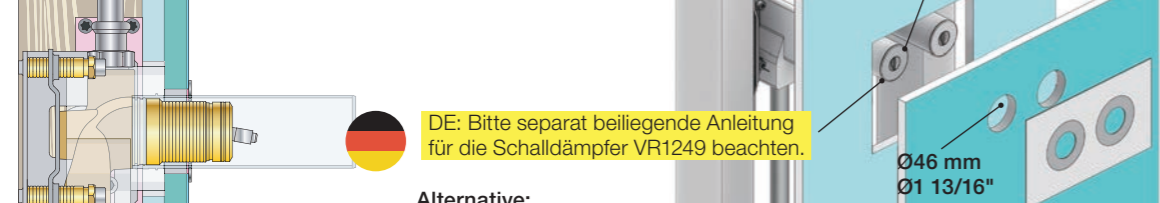
| X | VR2260 + VR1400 + VR1020K |
|-------------|---------------------------|
| 35 - 47 mm | Std. |
| 25 - 35 mm | +10 |
| 15 - 25 mm | +20 |
| 5 - 15 mm | +30 |
| -5 - 5 mm | +40 |
| -15 - -5 mm | +50 |

Fitting of extension Montering av förlängning
 Montage von verlängerung Montage van de verlengstukken
 Montering af forlængerdele Montage des rallonges



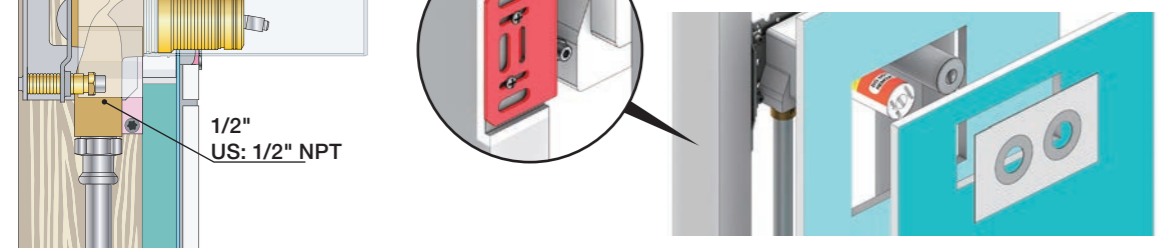


2x13 mm Lightweight wall
 Lätta konstruktion
 Leichtwand
 Let væg



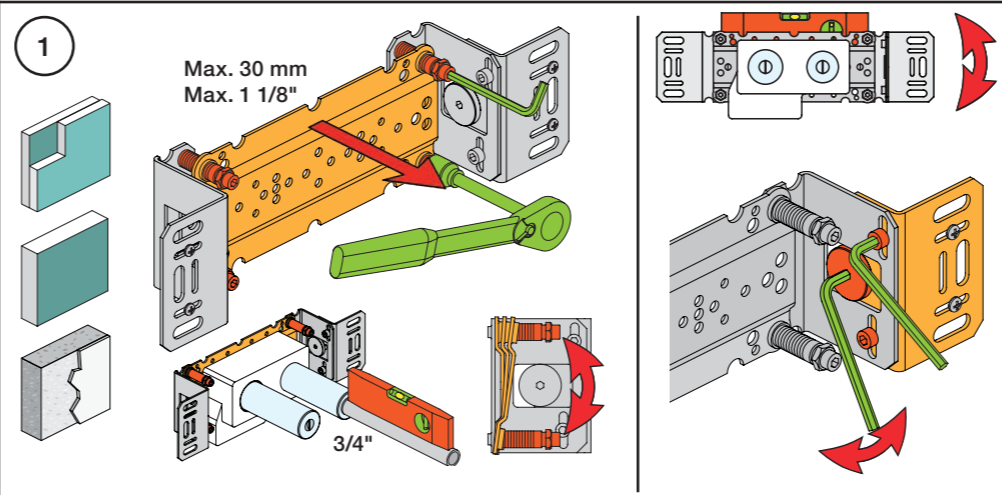
1x15 mm
 1x18 mm
 1x20 mm
 2x13 mm

Lightweight wall
 Lätta konstruktion
 Leichtwand
 Let væg



Masonry
 Mauerwerk
 Murverk
 Murværk

Massive wand
 Mur Plein



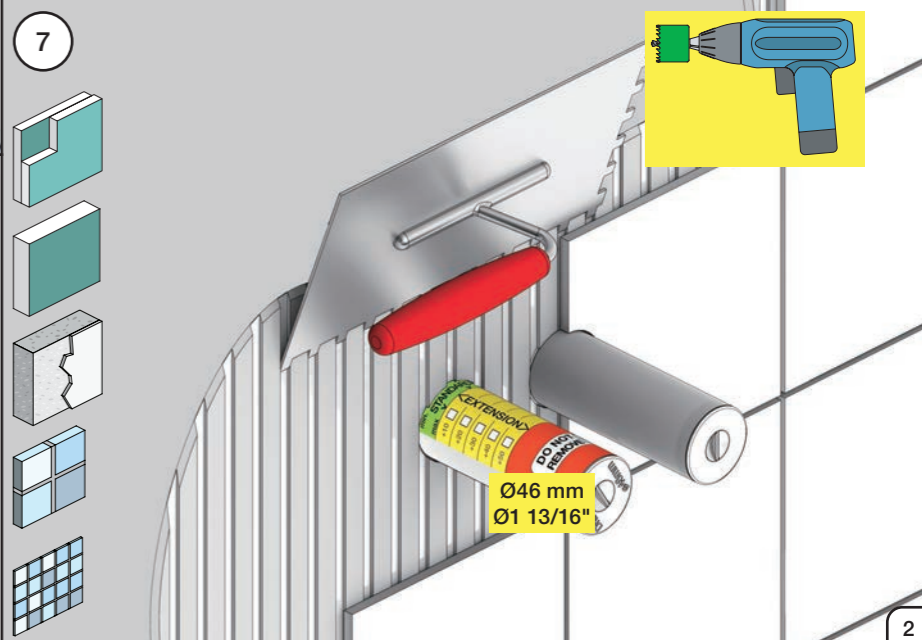
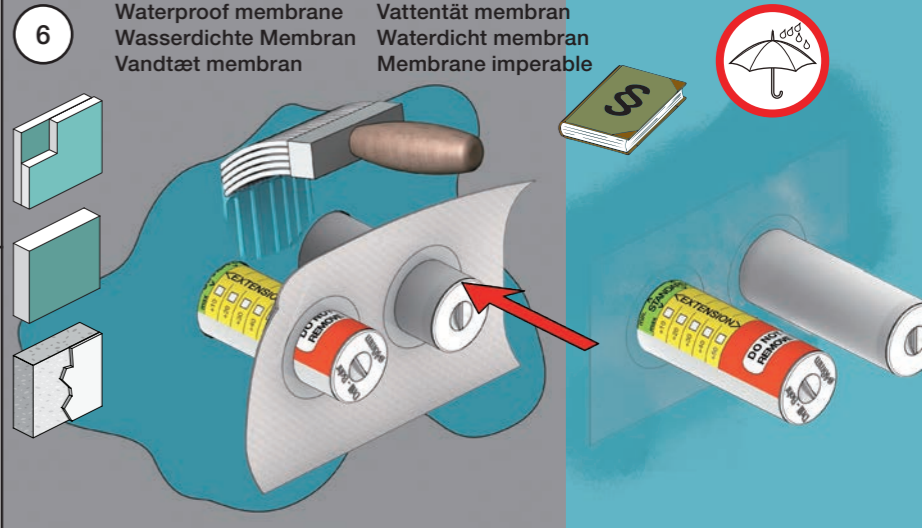
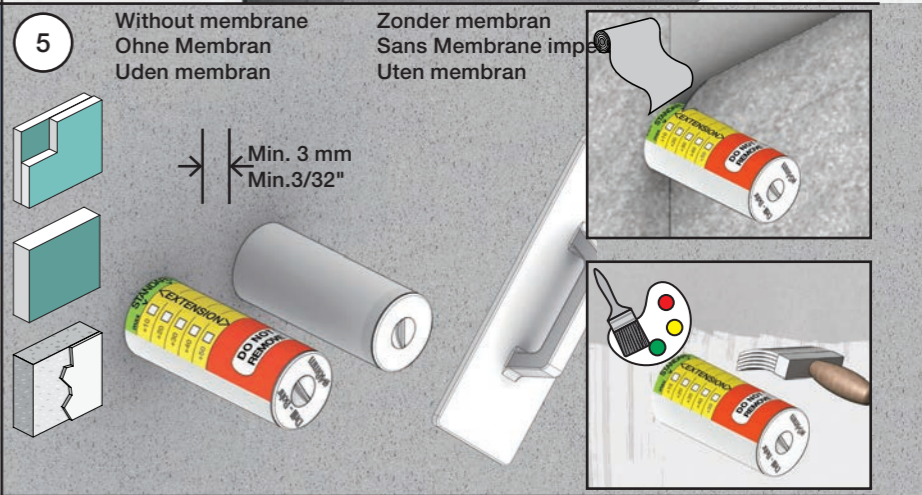
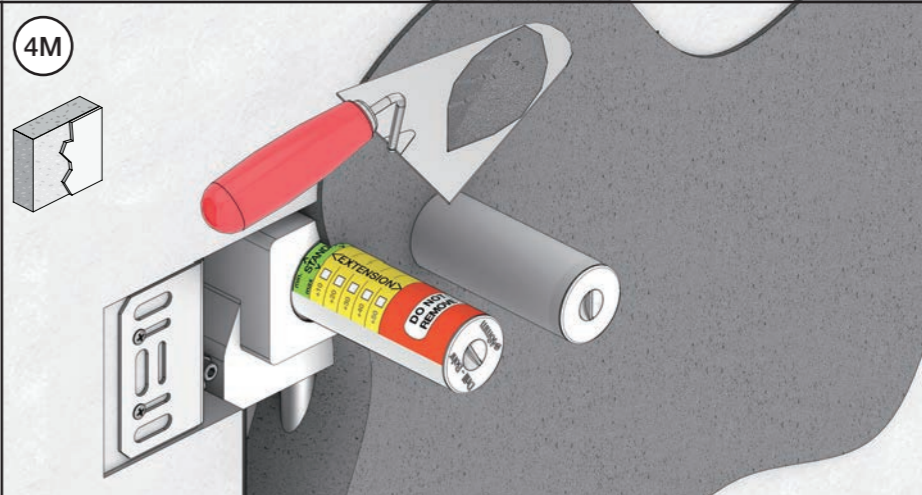
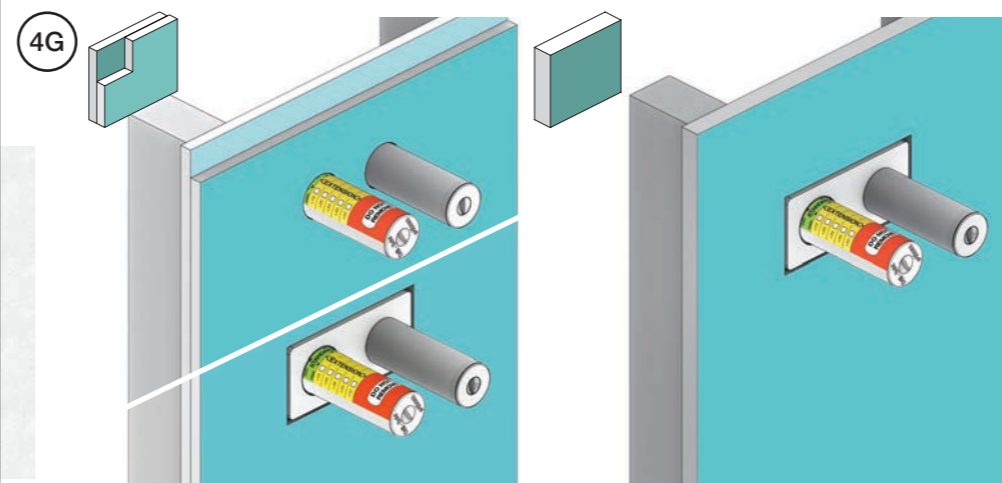
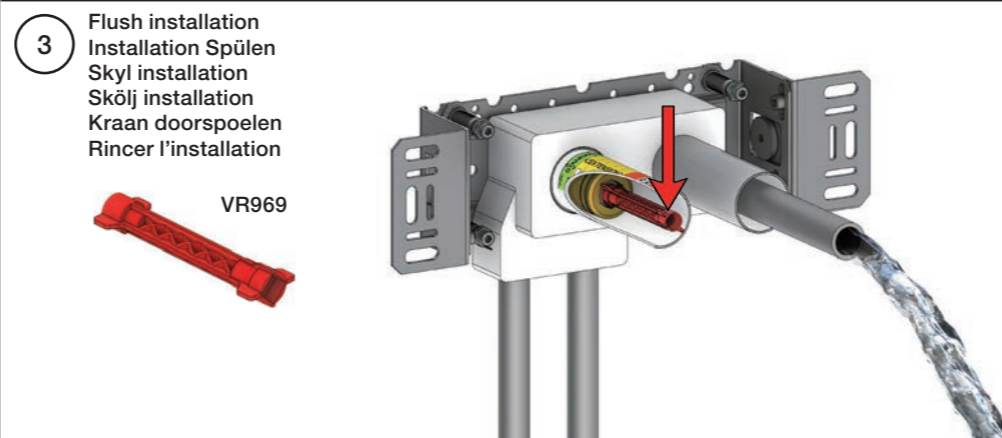
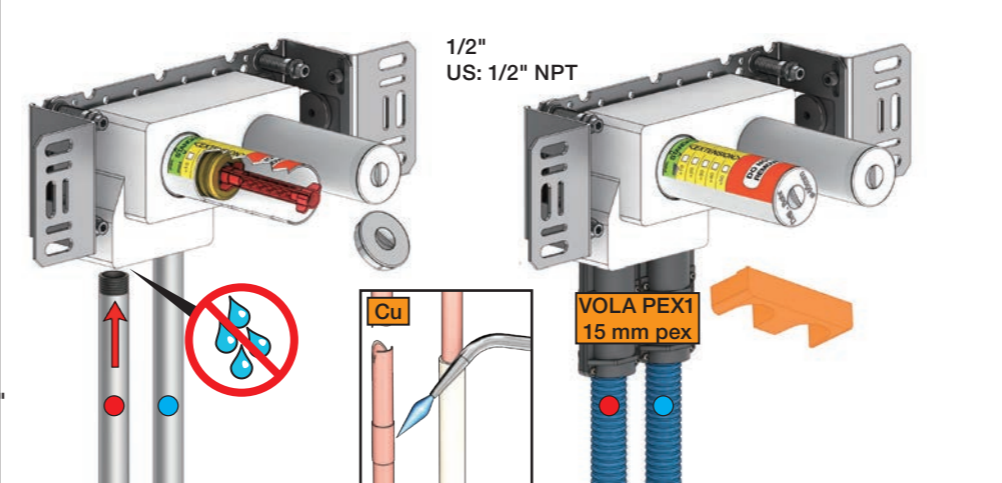
2 Test Pressure
 Prüfdruk
 testtryk
 Test tryk
 Test druk

Check the local legislation.
 Bitte die örtlichen Vorschriften überprüfen.
 Tjek de lokale regler.
 Kontrollera den lokala lagstiftning.
 Verifieer de lokale regelgeving.
 Vérifiez la législation locale.

1. MAX. 16 Bar
 232 Psi

2. MAX. 4 Bar
 58 Psi

**! Water - Wasser - Vand - Vatten - Water - L'eau
 ! MAX 1 Minute - Minut - Minuut !**



VOLA 010, 020, 030, 040
VOLA 010C, 020C, 040D

Fitting instruction
 Montageanleitung
 Monteringsvejledning
 Monteringsvægledning
 Montage hanleiding
 Manuel de montage



04/00026
 04/00101
 04/00175
 04/00298



www.vola.com
 mnt_010_V1_40998360
 23-05-2023



| Standard Flow data: | | Max. |
|---------------------|-----------|--------------------------|
| 010/020 | (l/min) | 5.0 |
| | (Gal/min) | 1.3 |
| 010C/020C | (l/min) | 30 |
| | (Gal/min) | 7.9 |
| 030 | (l/min) | 9.0 |
| | (Gal/min) | 2.0 |
| 040 | (l/min) | 25 |
| | (Gal/min) | 6.6 |
| 040D | (l/min) | 30 |
| | (Gal/min) | 7.9 |
| | | Max. 65°C. Max. 150°F |



VR161:
 VR161K: 7 l/min - 1.8 Gal/min
 VR161D: 9 l/min - 2.5 Gal/min
 VR161F: 14 l/min - 3.7 Gal/min



For more water saving possibilities please see:
 Weitere Wassersparmöglichkeiten finden Sie auf:
 For flere vandbesparende muligheder se venligst:
 För mer vattenbesparande möjligheter hänvisas till:
 Voor meer waterbesparende mogelijkheden zie:
 Pour plus d'informations sur les options : économie d'eau, voir le site:

www.vola.com



010, 020



010C, 020C



| | L (mm) | L (Inch) |
|------------|--------|----------|
| 010(C)/100 | 100 | 4" |
| 010(C)/130 | 130 | 5" |
| 010(C)/160 | 160 | 6" |
| 020(C)/200 | 200 | 7 3/4" |
| 020(C)/225 | 225 | 8 3/4" |
| 020(C)/260 | 260 | 10 1/4" |
| 020(C)/300 | 300 | 11 3/4" |

030

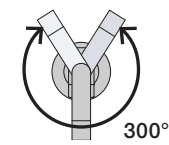


| | L (mm) | L (Inch) |
|---------|--------|----------|
| 030/200 | 200 | 7 3/4" |
| 030/250 | 250 | 9 3/4" |
| 030/300 | 300 | 11 3/4" |
| 030/350 | 350 | 13 3/4" |

040



040D



| | L (mm) | L (Inch) |
|----------|--------|----------|
| 040 | 185 | 7 3/4" |
| 040D | 200 | 7 3/4" |
| 040D/250 | 250 | 9 3/4" |
| 040D/300 | 300 | 11 3/4" |

1

010, 010C, 020, 020C, 030, 040, 040D



2



3

Ø19: 010, 020, 030, 040



Ø24: 010C, 020C, 040D



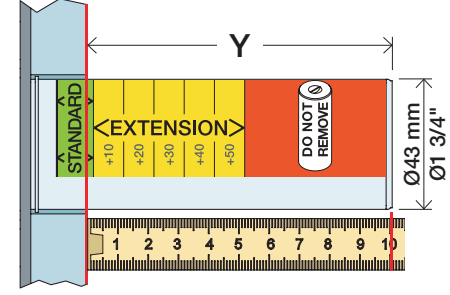
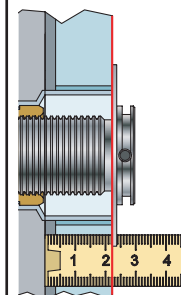
Extension
Verlängerung

Forlængerdele
Förlängning

Verlengstukken
Modification

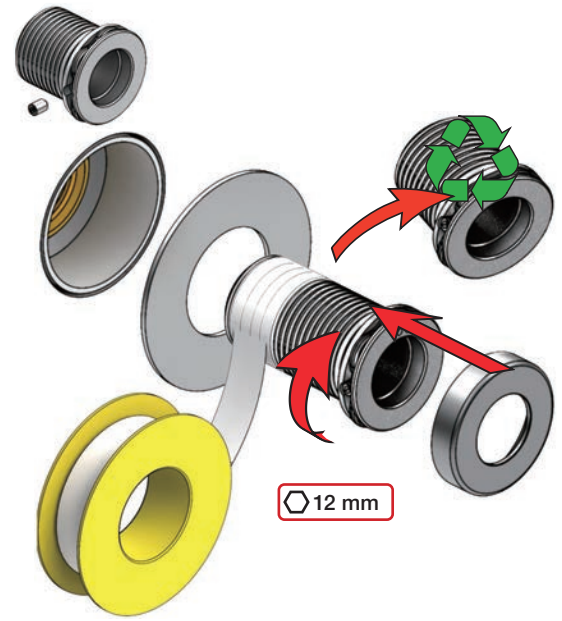
T Min. 3 mm
Max. 65 mm

Y Min. 48 mm
Max. 110 mm



| T | Y | VR1020K | VR2019 (Ø19) VR2119 (Ø24) |
|------------|-------------|---------|------------------------------|
| 3 - 15 mm | 110 - 98 mm | | Std. |
| 15 - 25 mm | 98 - 88 mm | | +10 |
| 25 - 35 mm | 88 - 78 mm | | +20 |
| 35 - 45 mm | 78 - 68 mm | | +30 |
| 45 - 55 mm | 68 - 58 mm | | +40 |
| 55 - 65 mm | 58 - 48 mm | | +50 |

VR1020K+ / VR2019+ / VR2219+



Do not cut the membrane
 Die Membran nicht schneiden
 Skær ikke membranen
 * Skär inte membranet
 Snij het membraan niet door
 Ne coupez pas la membrane
 No cortar la membrana



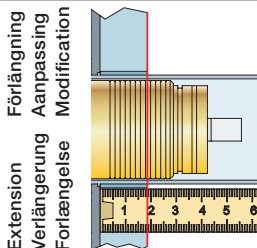
*Membran används inte i SVERIGE, ihop med inbyggnadsboxen.

NR.21:

1

NR.28+19+24:

2



| VR2260/VR1400/VR2019 | | |
|----------------------|------------|------|
| | 3 - 15 mm | Std. |
| Tiles: | 15 - 25 mm | +10 |
| Fliesen: | 25 - 35 mm | +20 |
| Tegets: | 35 - 45 mm | +30 |
| Carreaux: | 45 - 55 mm | +40 |
| | 55 - 65 mm | +50 |

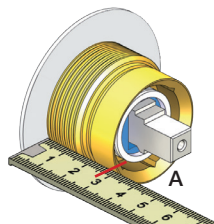


| VR2260/VR1400/VR2019 | | |
|----------------------|------------|------|
| | 35 - 47 mm | Std. |
| | 25 - 35 mm | +10 |
| | 15 - 25 mm | +20 |
| | 5 - 15 mm | +30 |
| | -5 - 5 mm | +40 |
| | -15 - 5 mm | +50 |

NR 21

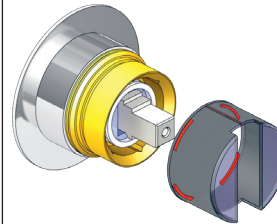


NR 21 - 1

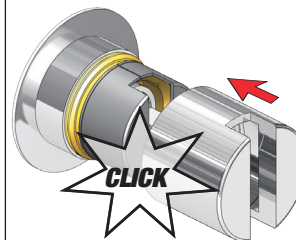


| | | A |
|---------|-------|------------|
| VR2279 | 16 mm | 30 - 34 mm |
| VR2279B | 12 mm | 26 - 30 mm |
| VR2279C | 8 mm | 22 - 26 mm |

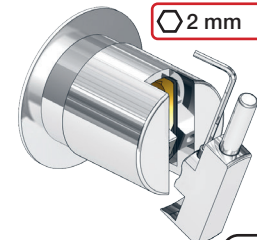
NR 21 - 2



NR 21 - 3



NR 21 - 4





| VR1260/VR1400/VR2019 | | |
|-------------------------------|------------|------|
| Tegels: Carreaux: | 3 - 15 mm | Std. |
| | 15 - 25 mm | +10 |
| | 25 - 35 mm | +20 |
| | 35 - 45 mm | +30 |
| Tiles: Fliesen: Fliser: | 45 - 55 mm | +40 |
| | 55 - 65 mm | +50 |



| VR1260/VR1400/VR2019 | | |
|----------------------|------|--|
| 40 - 52 mm | Std. | |
| 30 - 40 mm | +10 | |
| 20 - 30 mm | +20 | |
| 10 - 20 mm | +30 | |
| 0 - 10 mm | +40 | |
| -10 - 0 mm | +50 | |

NR 19/NR24

NR 19:
 Ø40 mm
 Ø1 5/8"

NR 24:
 Ø43 mm
 Ø1 3/4"



NR 28 - 1

VR3279 VR3279B VR3279C

| | A | |
|---------|-------|------------|
| VR3279 | 16 mm | 31 - 36 mm |
| VR3279B | 12 mm | 27 - 32 mm |
| VR3279C | 8 mm | 23 - 28 mm |

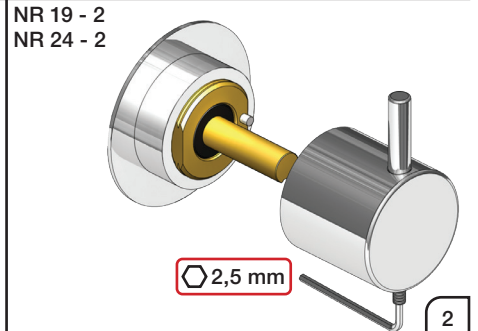
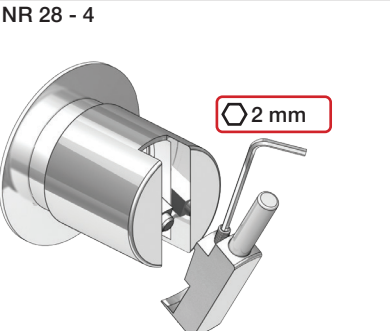


NR 19 - 1
NR 24 - 1

VR2204 VR2204B VR2204C

NR 19 - VR665

| | A | |
|---------|-------|------------|
| VR665 | 16 mm | ALL |
| VR2204 | 16 mm | 16 - 21 mm |
| VR2204B | 12 mm | 11 - 17 mm |
| VR2204C | 8 mm | 7 - 13 mm |





NR21: VR20D, VR22, VR1275, VR2269, VR2273, VR2278, VR2279, VR2279B, VR2279C
 VR1277K: VR22, VR1277, VR2269

| | | | |
|-------------------------|--------------------------|--------------------------|-------------------------|
| <p>2100</p> <p>2927</p> | <p>2100X</p> <p>2927</p> | <p>2200V</p> <p>2928</p> | <p>2300</p> <p>2927</p> |
| <p>2002</p> | <p>2003KB</p> | <p>2003B</p> | <p>2002</p> |
| <p>2001, 001</p> | <p>2001, 001</p> | <p>2001</p> | <p>2001, 001</p> |



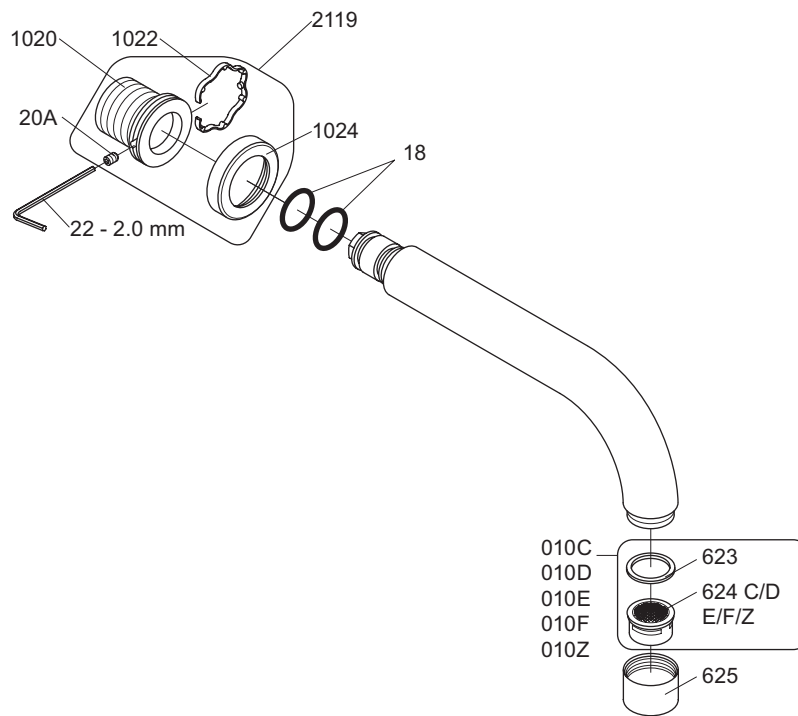
vola
 Lunavej 2
 DK-8700 Horsens
 Tlf : + 45 7023 5500
 sales@vola.com
 www.vola.com

VOLA 2100
 2100X, 2200V, 2300

Date
 May. 22

Rev.
 4

Sheet
 SB 10.7



VR010C: VR623, VR624C
 VR010D: VR623, VR624D
 VR010E: VR623, VR624E
 VR010F: VR623, VR624F
 VR010Z: VR623, VR624Z
 VR1020K: VR20A, VR22, VR1020, VR1022
 VR2119: VR20A, VR22, VR1020, VR1022, VR1024



volapart

Lunavej 2
 DK-8700 Horsens
 Tlf : + 45 7023 5500
 sales@volapart.com
 www.volapart.com

VOLA 010C/020C

Date
Apr. 21

Rev.
2

Sheet
SB 11.1